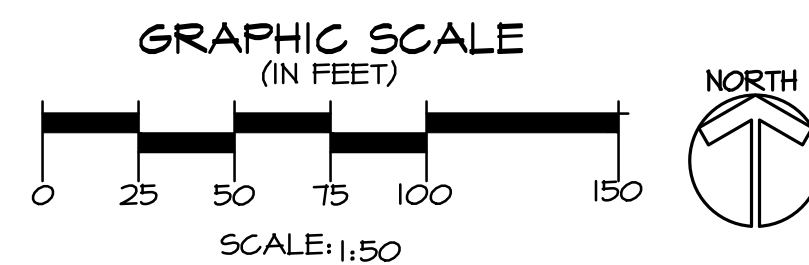


EXISTING CONDITIONS

PLAN LEGEND

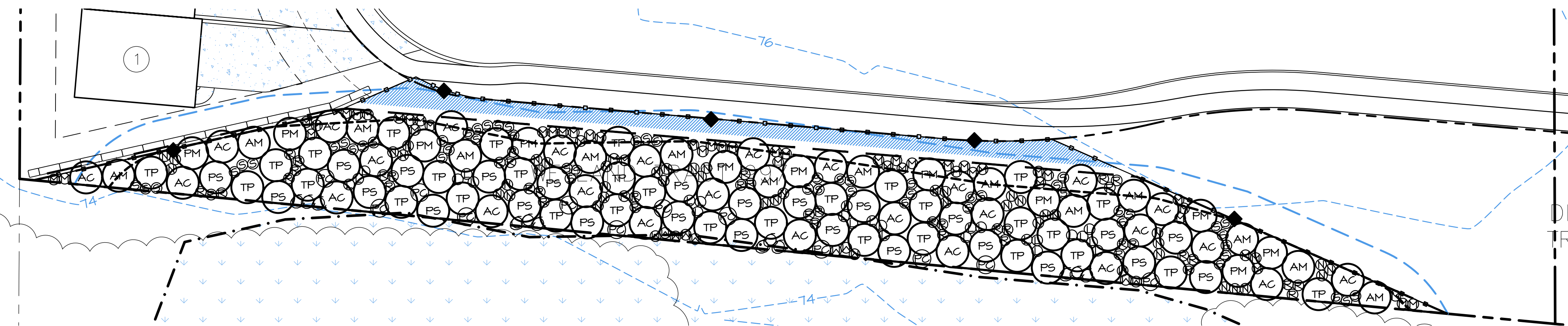
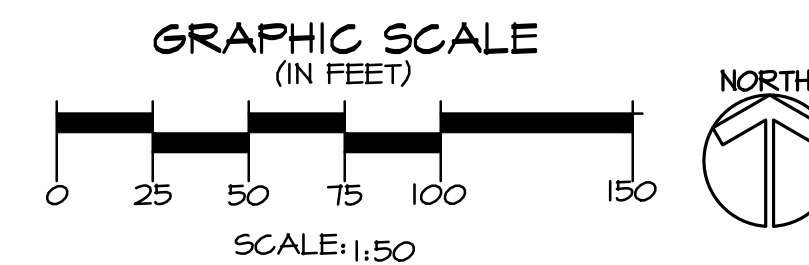
- PROPERTY LINE
- - - WETLAND BOUNDARY
- STANDARD 35' WETLAND BUFFER
- - - REDUCED 26.25' WETLAND BUFFER



WETLAND/BUFFER ENHANCEMENT PLAN

PLAN LEGEND

- PROPERTY LINE
- - - WETLAND BOUNDARY
- STANDARD 35' WETLAND BUFFER
- - - REDUCED 26.25' WETLAND BUFFER
- PROPOSED BUFFER
- SPLIT-RAIL FENCE AND NGPA SIGNS AT TRACT BOUNDARY AND PROPOSED BUFFER
- BIODEGRADABLE EROSION CONTROL STRAIN OR COMPOST FILLED SOCK
- WETLAND ENHANCEMENT - 74 SF
- BUFFER ENHANCEMENT - 8,904 SF
- ADDITIONAL PLANTING AREA - 904 SF



PLANTING PLAN

PLANT SCHEDULE

TREES

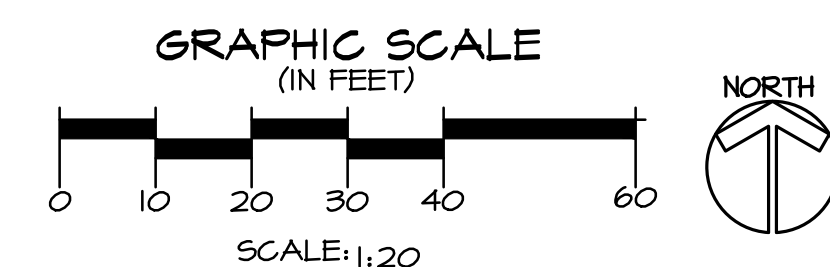
KEY	SCIENTIFIC NAME	COMMON NAME	DENSITY	QTY	SIZE (MIN)	NOTES
AC	ACER CIRCINATUM	VINE MAPLE	9' O.C.	27	2 GAL.	MULTI-CANE (3 MIN)
AM	ACER MACROPHYLLUM	BIG LEAF MAPLE	9' O.C.	14	2 GAL.	SINGLE TRUNK, WELL BRANCHED
PS	PICEA SITCHENSIS	SITKA SPRUCE	9' O.C.	25	2 GAL.	FULL # BUSHY
FM	PSEUDOTSUGA MENZIESII	DOUGLAS FIR	9' O.C.	11	2 GAL.	FULL # BUSHY
TP	THUJA PLICATA	WESTERN RED CEDAR	9' O.C.	31	2 GAL.	FULL # BUSHY

SHRUBS

KEY	SCIENTIFIC NAME	COMMON NAME	SPACING	QTY	SIZE (MIN)	NOTES
C	CORNUS SERICEA	RED-OSIER DOGWOOD	3' O.C.	12	1 GAL.	MULTI-CANE (3 MIN)
L	LONICERA INVOLUCRATA	BLACK THINBERRY	3' O.C.	26	1 GAL.	MULTI-CANE (3 MIN)
M	MAHONIA AQUIFOLIUM	TALL OREGON GRAPE	3' O.C.	53	1 GAL.	FULL # BUSHY
PC	PHYSOCARPUS CAPITATUS	PACIFIC NINEBARK	5' O.C.	12	1 GAL.	MULTI-CANE (3 MIN)
N	ROSA NUTKANANA	NOOTKA ROSE	3' O.C.	42	1 GAL.	MULTI-CANE (3 MIN)
R	ROSA PISOCARPA	CLUSTERED ROSE	3' O.C.	43	1 GAL.	MULTI-CANE (3 MIN)
W	SALIX SCOULERIANA	SCOULER WILLOW	3' O.C.	*33	4' CUTTING	1/2" DIA. MIN, BARK INTACT
S	SYMPHORICARPOS ALBUS	SNOWBERRY	3' O.C.	54	1 GAL.	MULTI-CANE (3 MIN)

GROUND COVER

KEY	SCIENTIFIC NAME	COMMON NAME	SPACING	QTY	SIZE (MIN)	NOTES
■	GAULTHERIA SHALLON	SALAL	2' O.C.	261	1 GAL.	FULL # BUSHY



SHEET INDEX

SHEET NUMBER	SHEET TITLE
W-1	MITIGATION PLAN
W-2	SPECIFICATIONS & DETAILS

NOTES

- SURVEY PROVIDED BY ANDES LAND SURVEYING, 1523 TENTH STREET, MARYSVILLE, WA 98270, (360) 654-6639.

SPECIFICATIONS

- PRIOR TO ANY WORK IN THE ENHANCEMENT AREA, A COMPOST OR STRAW FILLED BIODEGRADABLE EROSION CONTROL SOCK SHALL BE INSTALLED PER CITY SPECIFICATION AT LOCATION DEPICTED ON FIGURE 2.
- ALL WORK WITHIN THE ENHANCEMENT AREAS SHALL BE STAKED AND APPROVED BY AOA PRIOR TO IMPLEMENTATION OF ENHANCEMENT PLAN.
- WITHIN THE ENHANCEMENT AREA, REMOVE ALL INVASIVE SPECIES, GRAVEL, AND ANY OTHER NON-ORGANIC DEBRIS.
- INVASIVE SPECIES INCLUDE: ALL CLASS A AND B NOXIOUS WEEDS LISTED PER THE WASHINGTON STATE NOXIOUS WEED CONTROL BOARD AND HIMALAYAN AND EVERGREEN BLACKBERRY, REED CANARYGRASS, ENGLISH IVY, HEDGE BINDWEED, YELLOW-FLAG IRIS, YELLOW LOOSESTRIPE, THISTLE, AND NIGHTSHADE.
- PRIOR TO PLANTING, REMOVE EXISTING SOD/PASTURE WITH A SOD STRIPPER, TILL TO A DEPTH OF 12 INCHES PRIOR TO PLANTING.
- ALL PLANTS SHALL BE PIT-PLANTED IN PLANTING PITS EXCAVATED 2X THE DIAMETER OF THE PLANT AND BACKFILLED WITH A 30/70 MIX OF STEERCO TO NATIE SOIL.
- PLANTS SHALL BE INSTALLED 3" HIGH AND SURFACED MULCHED TO A DEPTH OF 3" WITH HOG-FUEL OR WOOD CHIPS PLACED CONTINUOUSLY THROUGHOUT THE PLANTING AREAS.
- ALL PLANTS SHALL BE NURSERY GROWN (IN PL WA OR OR.) FOR AT LEAST 1 YEAR FROM PURCHASE DATE, FREE FROM DISEASE OR PESTS, WELL-ROOTED, BUT NOT ROOT-BOUND, AND TRUE TO SPECIES.
- NATIVE PLANT CUTTINGS SHALL BE GROWN AND COLLECTED IN THE MARITIME PACIFIC NORTHWEST. CUTTINGS SHALL BE OF ONE- TO TWO-YEAR-OLD WOOD, 1/2" DIA. MINIMUM. CUTTINGS SHALL BE A MINIMUM OF 4' IN LENGTH WITH 4 LATERAL BUDS EXPOSED ABOVE GROUND AFTER PLANTING. THE TOP OF EACH CUTTING SHALL BE A MINIMUM OF 1" ABOVE A LEAF BUD, THE BOTTOM CUT 2" BELOW A BUD. THE BASAL ENDS OF THE CUTTINGS SHALL BE CUT AT A 45 DEGREE ANGLE AND MARKED CLEARLY SO THAT THE ROOTING END IS PLANTED IN THE SOIL. CUTTINGS MUST BE KEPT COVERED AND MOIST DURING STORAGE AND TRANSPORT, AND NO CUTTINGS SHALL BE STORED MORE THAN THREE DAYS FROM DATE OF CUTTING. CUTTINGS SHALL ONLY BE USED IF PLANTING OCCURS BETWEEN DECEMBER 1ST AND APRIL 1ST. FOR PLANTING BETWEEN APRIL 1ST AND DECEMBER 1ST, ROOTED CUTTINGS OR SAFELINGS SHALL BE USED.
- PLANT LAYOUT SHALL BE APPROVED BY AOA PRIOR TO INSTALLATION AND APPROVED UPON COMPLETION OF PLANTING.
- UPON COMPLETION OF PLANTING, ALL PLANTS SHALL BE THOROUGHLY WATERED. IMPLEMENTED TO PROVIDE 1/2" OF FLOW TWICE WEEKLY BETWEEN JUNE 15 AND SEPTEMBER 30 THE FIRST THREE YEARS AFTER PLANTING TO ALL PLANTED PLANTS. SYSTEM CAN BE REMOVED AT THE DIRECTION OF AOA AFTER THE SECOND OR THIRD GROWING SEASON.

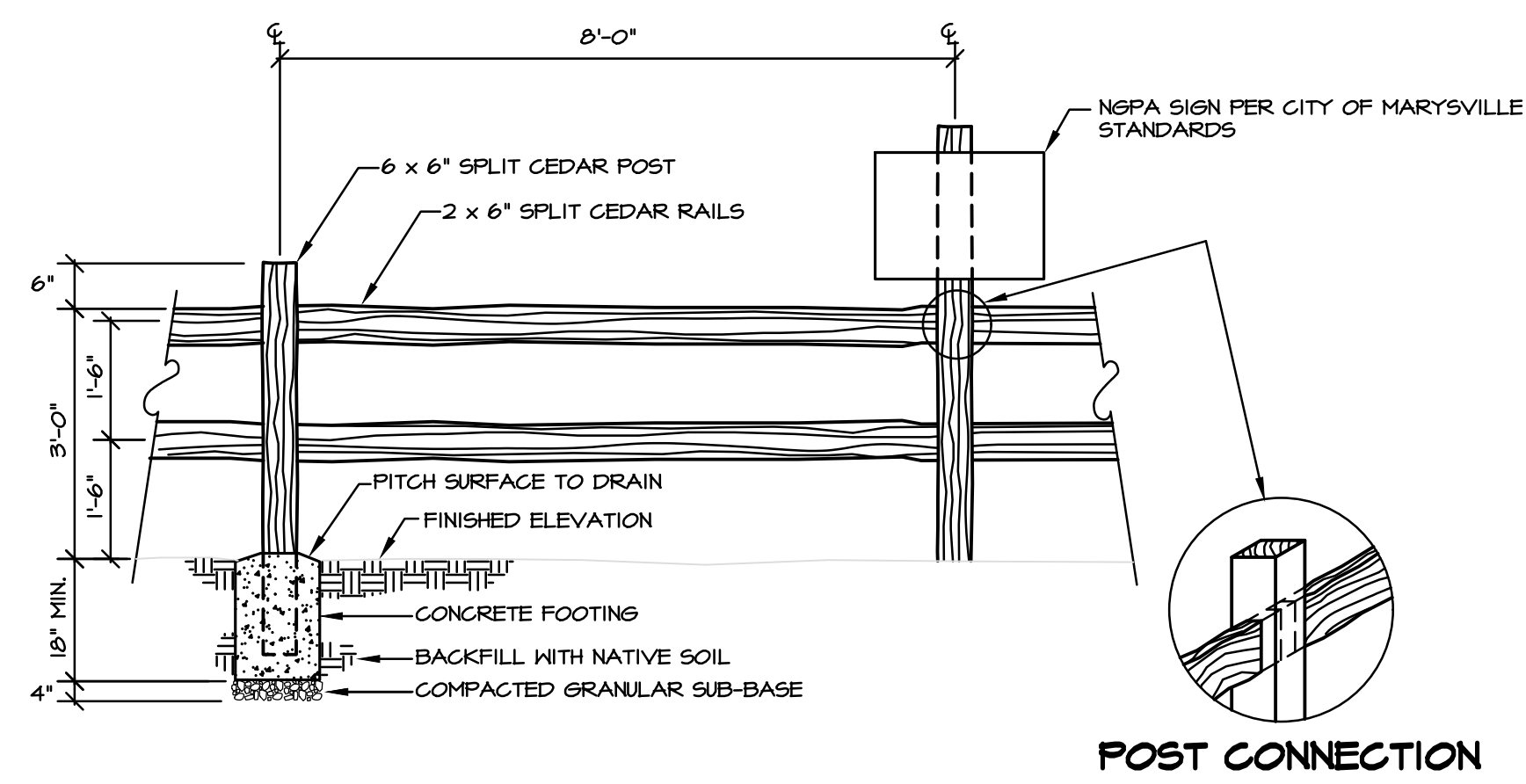
MAINTENANCE & MONITORING

- PERFORMANCE STANDARDS INCLUDE:
 - 1) YEAR 1 - THERE WILL BE 100% SURVIVAL OF ALL PLANTED SPECIES. FOLLOWING YEARS 3-5, THERE WILL BE AN 80% SURVIVAL RATE OF ALL PLANTED SPECIES OR EQUIVALENT REPLACEMENT OF A COMBINATION OF PLANTED AND RE-COLONIZED NATIVE SPECIES.
 - 2) FOLLOWING THE FIRST YEAR AFTER PLANTING, A COMBINATION OF NATIVE NATURALIZED WOODY VEGETATION WILL COVER AT LEAST 15% OF THE ENHANCEMENT AREA, THE AREAL COVERAGE WILL INCREASE TO AT LEAST 25% FOLLOWING THE SECOND YEAR AFTER PLANTING, 50% FOLLOWING THE THIRD YEAR AFTER PLANTING, AND 80% FOLLOWING THE FIFTH YEAR AFTER PLANTING.
 - 3) AFTER CONSTRUCTION AND FOLLOWING EVERY MONITORING EVENT FOR A PERIOD OF AT LEAST 5 YEARS, EXOTIC AND INVASIVE PLANT SPECIES WILL BE MAINTAINED AT LEVELS BELOW 20% TOTAL COVERAGE IN ALL PLANTED AREAS. THESE SPECIES INCLUDE BUT ARE NOT LIMITED TO: ALL CLASS A AND B NOXIOUS WEEDS LISTED PER THE WASHINGTON STATE NOXIOUS WEED CONTROL BOARD AND HIMALAYAN AND EVERGREEN BLACKBERRY, REED CANARYGRASS, ENGLISH IVY, HEDGE BINDWEED, YELLOW-FLAG IRIS, YELLOW LOOSESTRIPE, THISTLE, AND NIGHTSHADE.
- MONITORING REPORTS WILL BE PREPARED AND SUBMITTED TO THE CITY OF MARYSVILLE AT CONSTRUCTION COMPLETION, WITHIN 30 DAYS OF PLANTING, SPRING AND FALL OF YEARS 1 AND 2 AND ANNUALLY IN THE FALL OF YEARS 3-5. THE REPORTS WILL DETAIL IF THE SITE IS MEETING THE PERFORMANCE STANDARDS AND PROVIDE PHOTOS FROM ESTABLISHED PHOTO POINTS.
- UPON APPROVAL OF PLANTING INSTALLATION BY AOA, CITY OF MARYSVILLE WILL BE NOTIFIED TO CONDUCT A SITE REVIEW FOR FINAL APPROVAL OF CONSTRUCTION.
- MAINTENANCE SHALL BE IMPLEMENTED IN MARCH, MAY, JULY, AND OCTOBER FOR THE DURATION OF THE MONITORING PERIOD ACCORDING TO THE SCHEDULE BELOW.

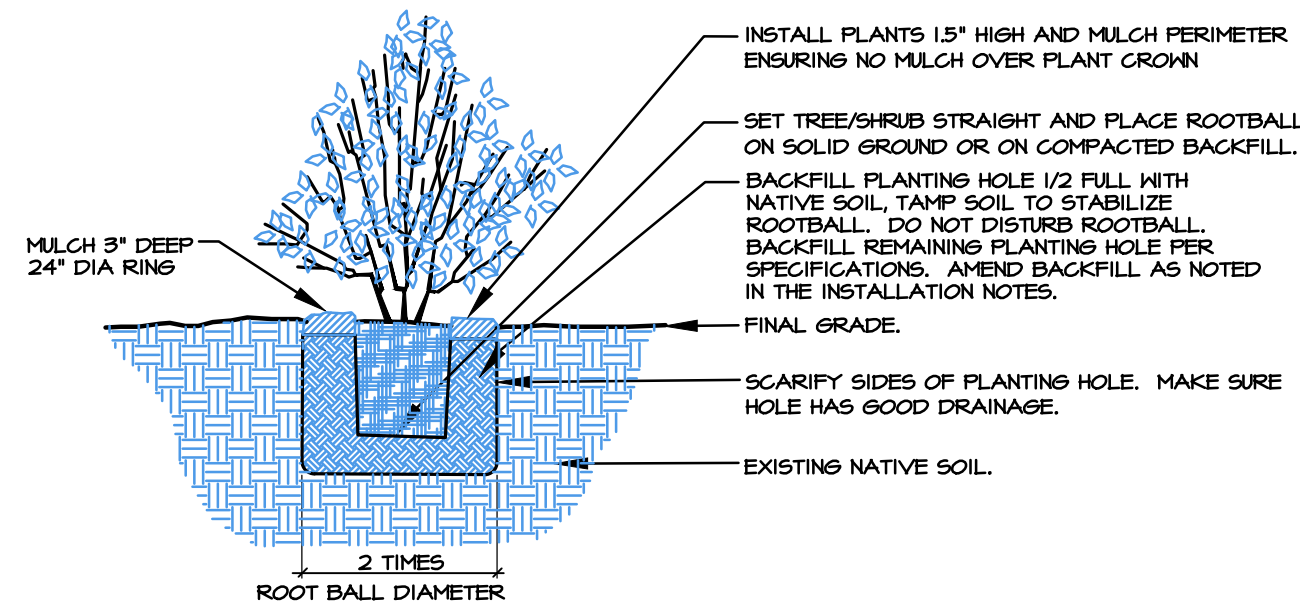
ANNUAL MAINTENANCE SCHEDULE

MAINTENANCE ITEM	J	F	M	A	M	J	J	A	S	O	N	D
WATERING - YEARS 1 & 2						4	8	8	8			
WEED CONTROL												
GENERAL MAINT.												

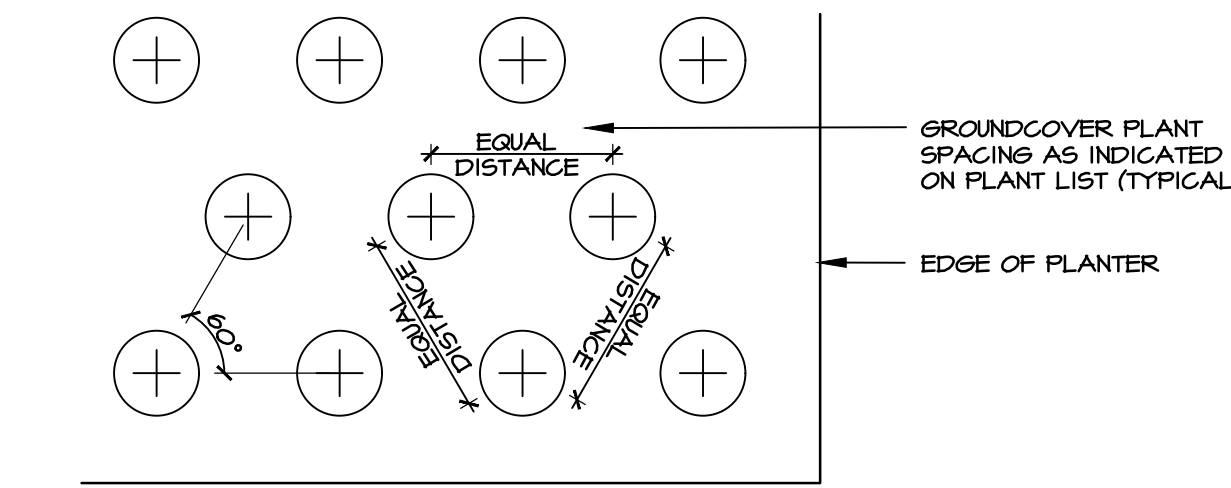
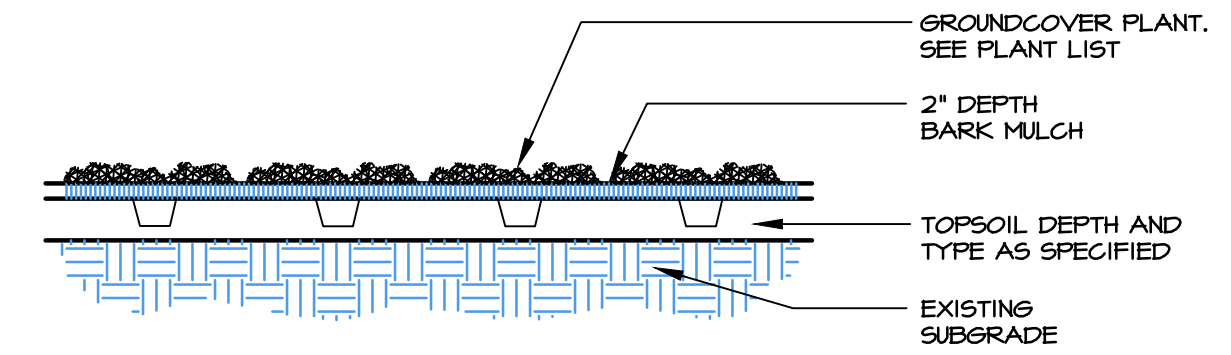
1-8 = NUMBER OF TIMES TASK SHALL BE PERFORMED PER MONTH.



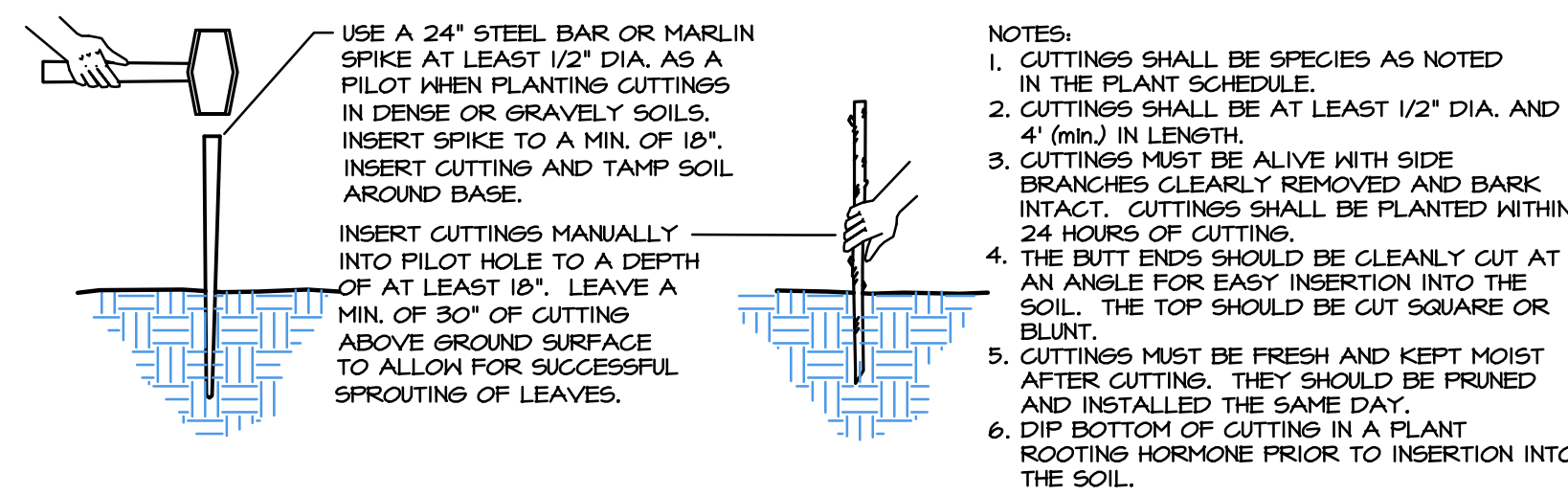
1 SPLIT-RAIL FENCE WITH NSPA SIGNS
SCALE: NTS



2 CONTAINER TREE/SHRUB PLANTING (TYP.)
SCALE: NTS



3 GROUNDCOVER PLANTING (TYP.)
SCALE: NTS



4 CUTTING INSTALLATION (TYP.)
SCALE: NTS

Revisions	Date	By
NEW SITE PLAN	01-24-22	SO

Date	01-25-20
Scale	AS NOTED
Project#	1506

© Copyright Altman Oliver Associates, LLC
5/26/2011 10:29:22 AM