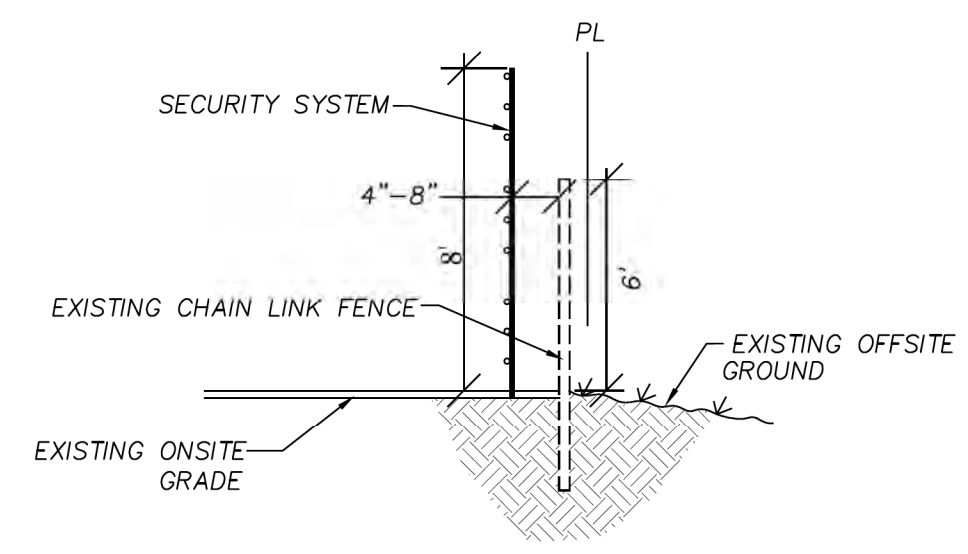


**SITE PLAN  
REQUEST TO AUTHORIZE A  
SECURITY SYSTEM FOR:  
CALIBER COLLISION  
16125 SMOKEY POINT BLVD  
MARYSVILLE, WA 98271**

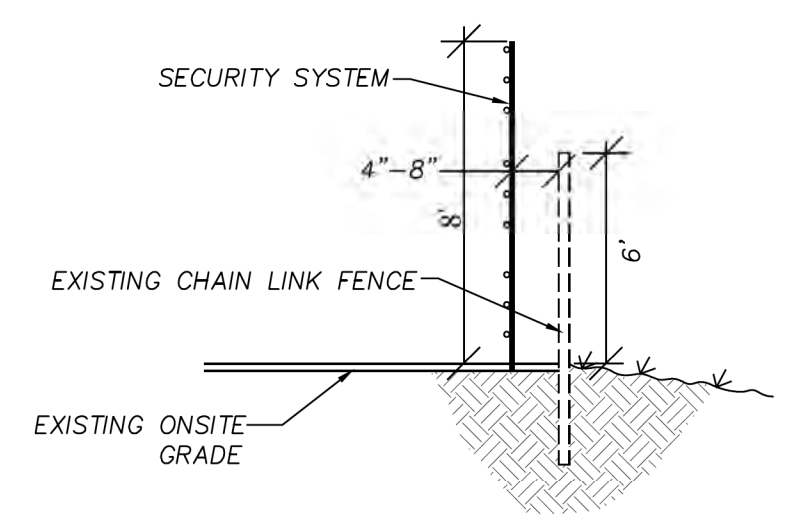
PROJECT DATA	
APN:	31052800300400, 31052800300500
ACREAGE:	1.76 ACRES
ZONING:	COMMUNITY BUSINESS

LEGEND	
	PROPERTY LINE / ROW
	EXISTING FENCE
	NEW FENCE
	PROPOSED SECURITY SYSTEM
	EXISTING SECURITY SYSTEM
	CURB
	APPROXIMATE LENGTH OF PROPOSED FENCE
	EASEMENT LINE

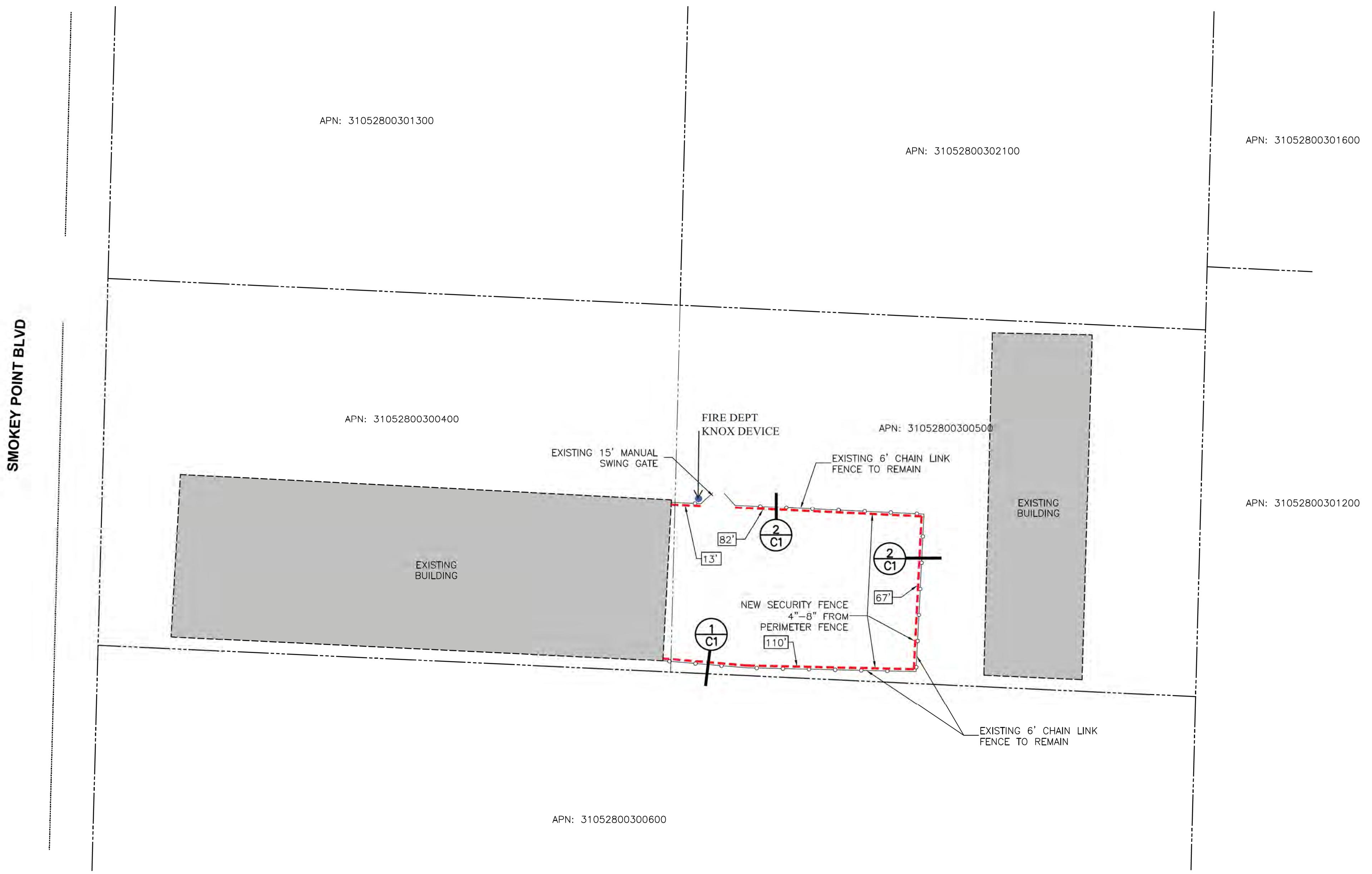
#	DATE / DESCRIPTION



**1** EXISTING PERIMETER FENCE SECTION  
C1 SCALE : NTS.



**2** EXISTING PERIMETER FENCE SECTION  
C1 SCALE : NTS.

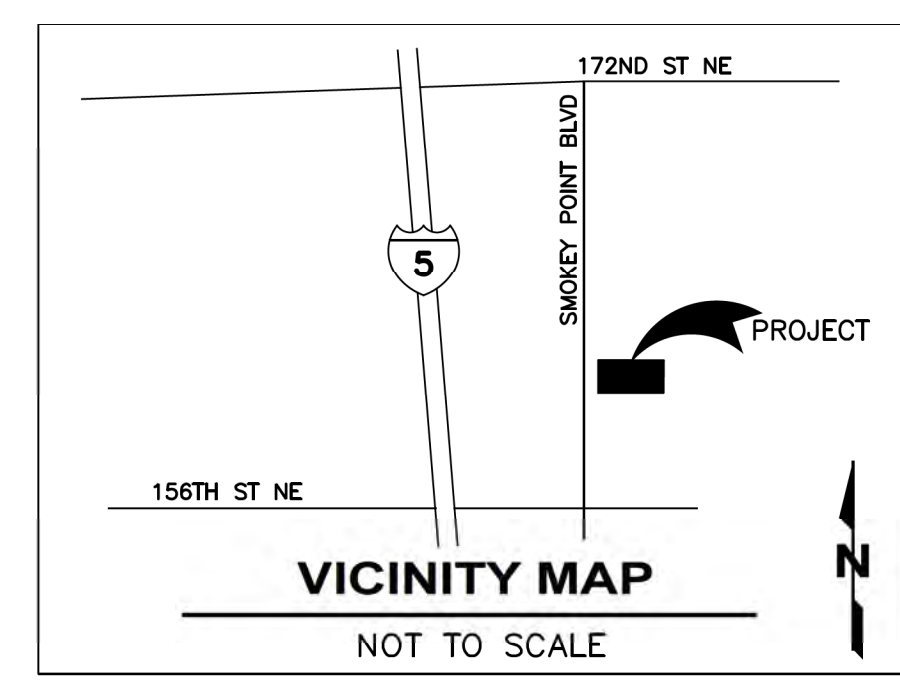


**SITE PLAN**  
SCALE : 1" = 30'-0"

**NOTES**

POLE LOCATIONS:  
STEEL POLES: TO BE LOCATED APPROXIMATELY ON EACH SIDE OF GATE(S) & EVERY 90° (OR GREATER) TURN IN FENCE LINE. FIBERGLASS/INTERMEDIATE POLES: TO BE LOCATED APPROXIMATELY EVERY 30'

DISCLAIMER:  
POLE LOCATIONS MAY SLIGHTLY DEVIATE FROM STIPULATIONS ABOVE DUE TO ON-SITE CONDITIONS



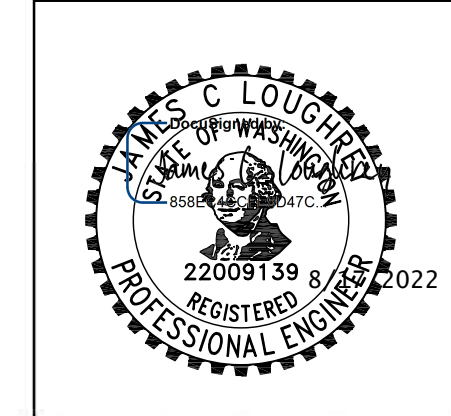
PROJECT: **CALIBER COLLISION  
16125 SMOKEY POINT BLVD  
MARYSVILLE, WA 98271**

SHEET TITLE: **SITE PLAN**

DATE: AUG 15, 2022  
SCALE: SEE PLAN

SHEET  
**C1**  
of 3

#	DATE / DESCRIPTION

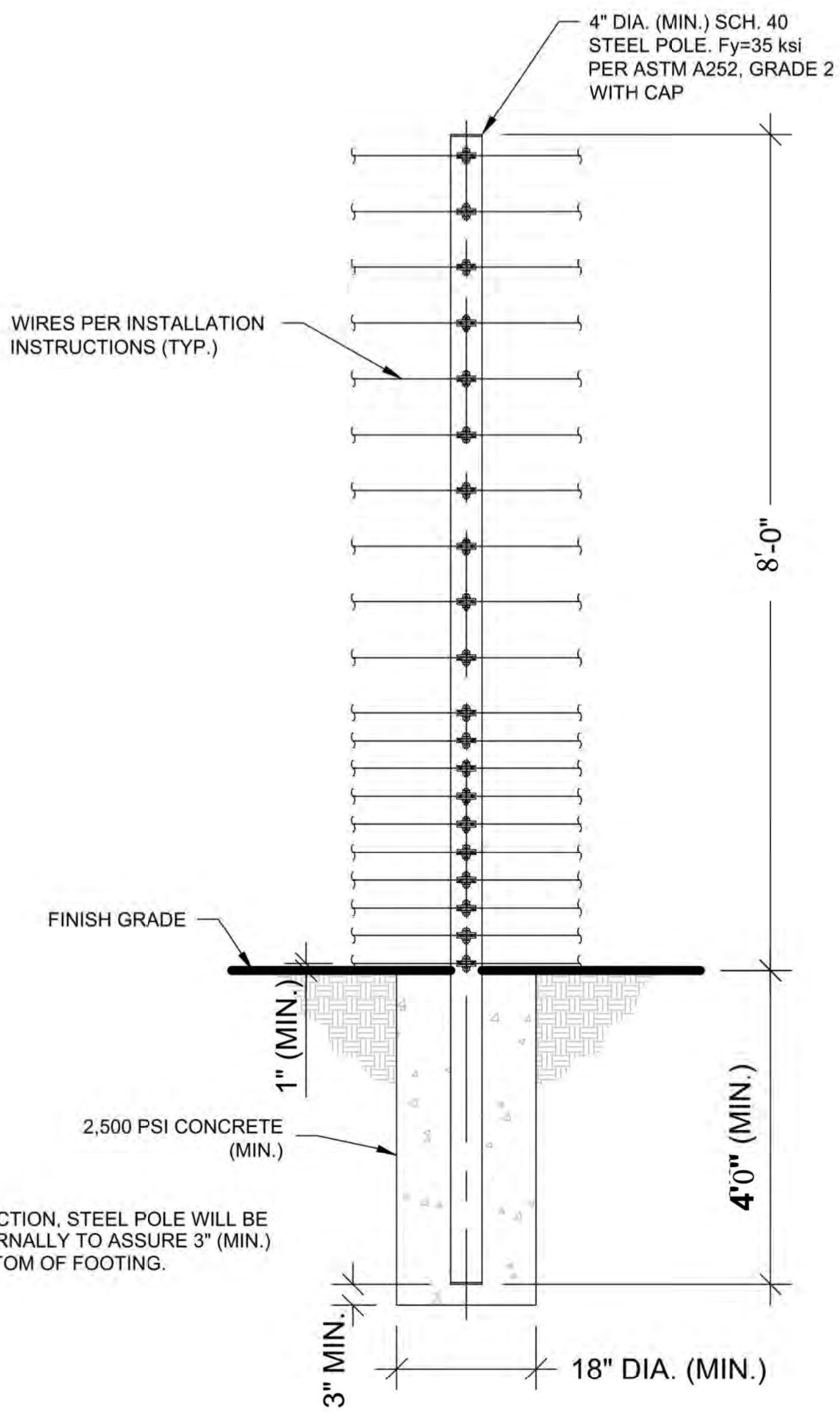


PROJECT: CALIBER COLLISION  
16125 SMOKEY POINT BLVD  
MARYSVILLE, WA 98271

SHEET TITLE: SITE PLANS

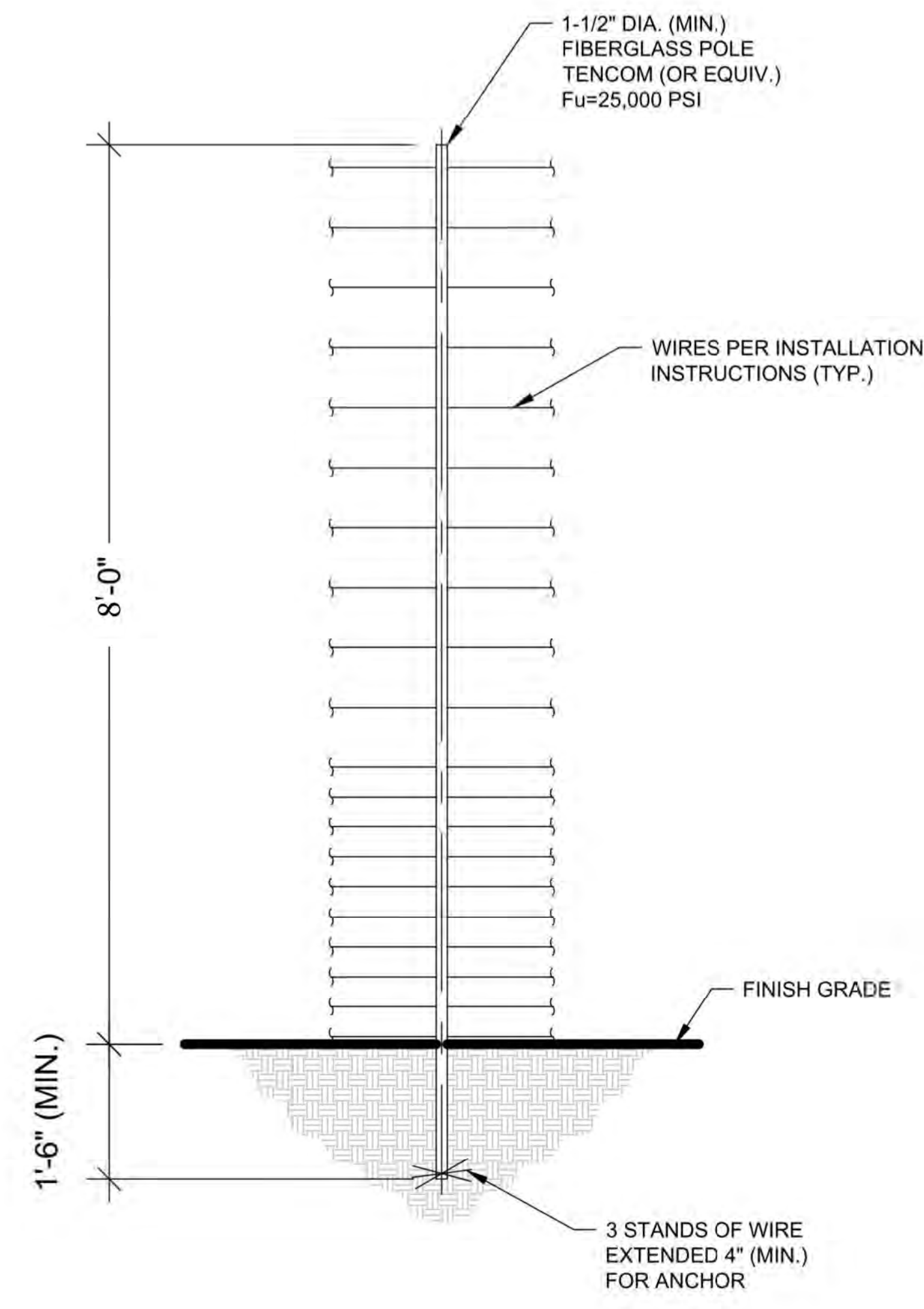
DATE: AUG 15, 2022  
SCALE: SEE PLAN

SHEET  
**C2**  
of 3



**STEEL POLE DETAIL**  
SCALE: NONE (STRUCTURAL)

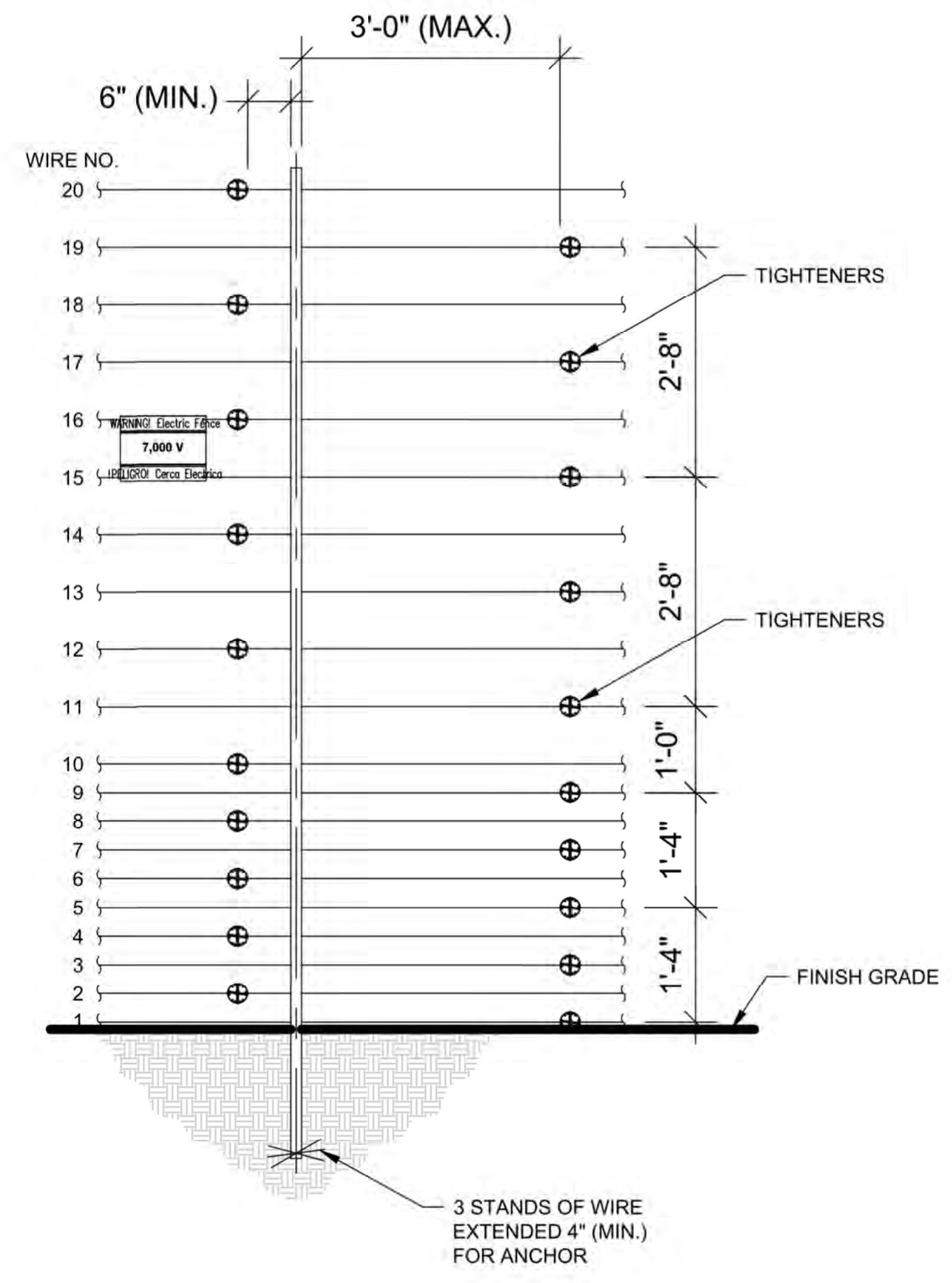
**NOTE:**  
DURING CONSTRUCTION, STEEL POLE WILL BE SUPPORTED EXTERNALLY TO ASSURE 3" (MIN.) SPACE FROM BOTTOM OF FOOTING.



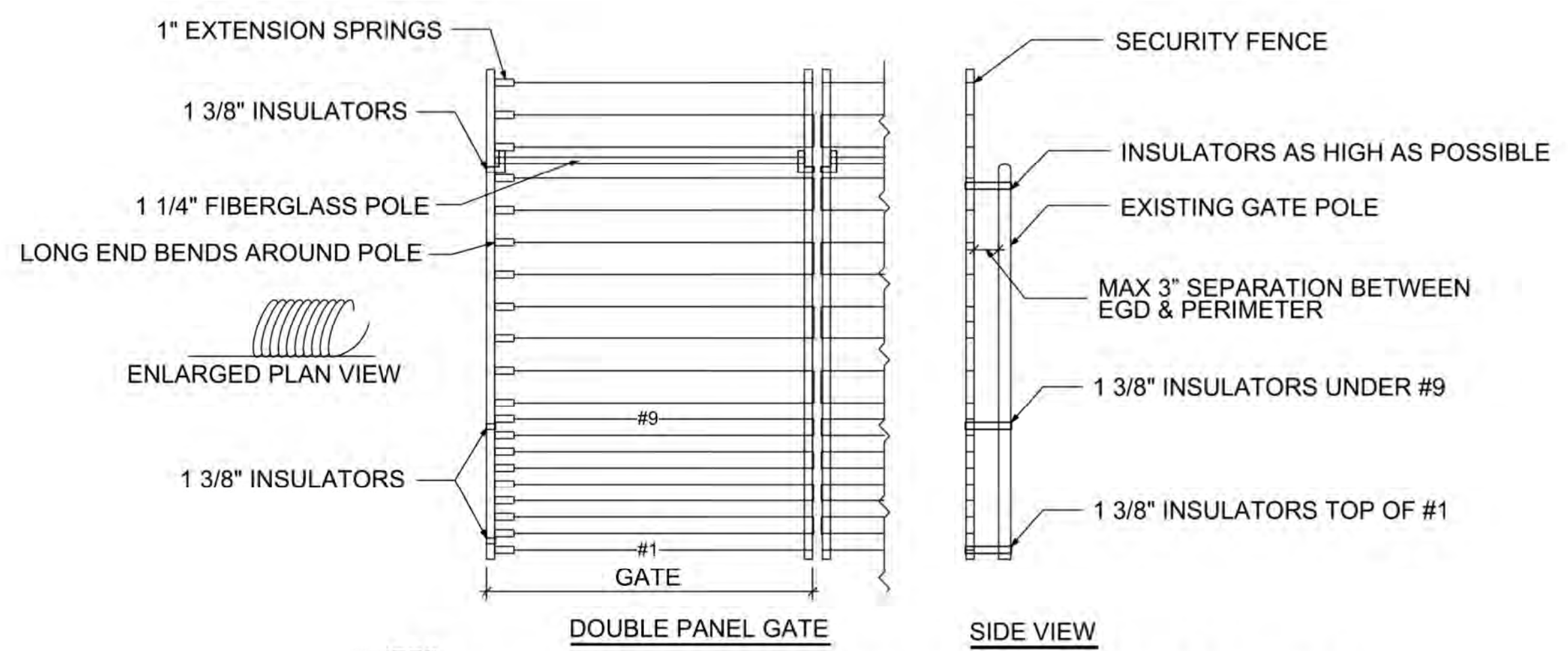
**FIBERGLASS POLE DETAIL**  
SCALE: NONE (NON-STRUCTURAL, NON-LOAD BEARING WIRE SEPARATOR)

**RAPID TIGHTENERS**  
RAPID TIGHTENERS ARE INSTALLED IN EVERY SECTION - BETWEEN 6" INCHES AND 3 FEET FROM A FIBERGLASS POLE - TOWARD THE CENTER OF THE RUN.  
THE TIGHTENERS ARE ALTERNATED ON OPPOSITE SIDES OF THE POLE TO PREVENT GROUNDS FROM HITTING WIRES WITH CURRENT.  
WIRE SHOULD BE WRAPPED TWO OR THREE TIMES AROUND EACH TIGHTENER.

**WARNING SIGNS**  
WARNING SIGNS MUST BE INSTALLED EVERY 30 FEET, WHICH IS THE MAXIMUM DISTANCE BETWEEN SIGNS.  
ALL WARNING SIGNS SHOULD BE MOUNTED EITHER BETWEEN WIRES 15 & 16 OR AT BEST VISIBLE HEIGHT.  
IF INSTALLED BEHIND A SOLID FENCE, WARNING SIGNS SHOULD ALSO BE PLACED ON OR ABOVE THE PERIMETER FENCE.



**WIRE CONNECTIONS**  
SCALE: NONE (FIBERGLASS POLE)



**NOTES:**  
1. INSULATORS ARE LOCATED ON TOP OF #1, UNDER #9, TO AS HIGH ON THE GATE AS POSSIBLE.  
2. SPRINGS ARE LOCATED ON OPPOSITE SIDES OF LOCK.  
3. ALL CONTACTS MUST INCLUDE SPRINGS.  
4. ALL CONTACTS MUST HAVE BOLT THROUGH FIBERGLASS (NO SET SCREWS).  
5. ALL BRACE BANDS HOOKED TO CHAIN LINK MUST HAVE SET SCREWS.  
6. EVERY GATE PANEL MUST HAVE A SIGN.  
7. GATE MOUNTS WILL NOT IMPACT THE FUNCTIONALITY OF THE GATE

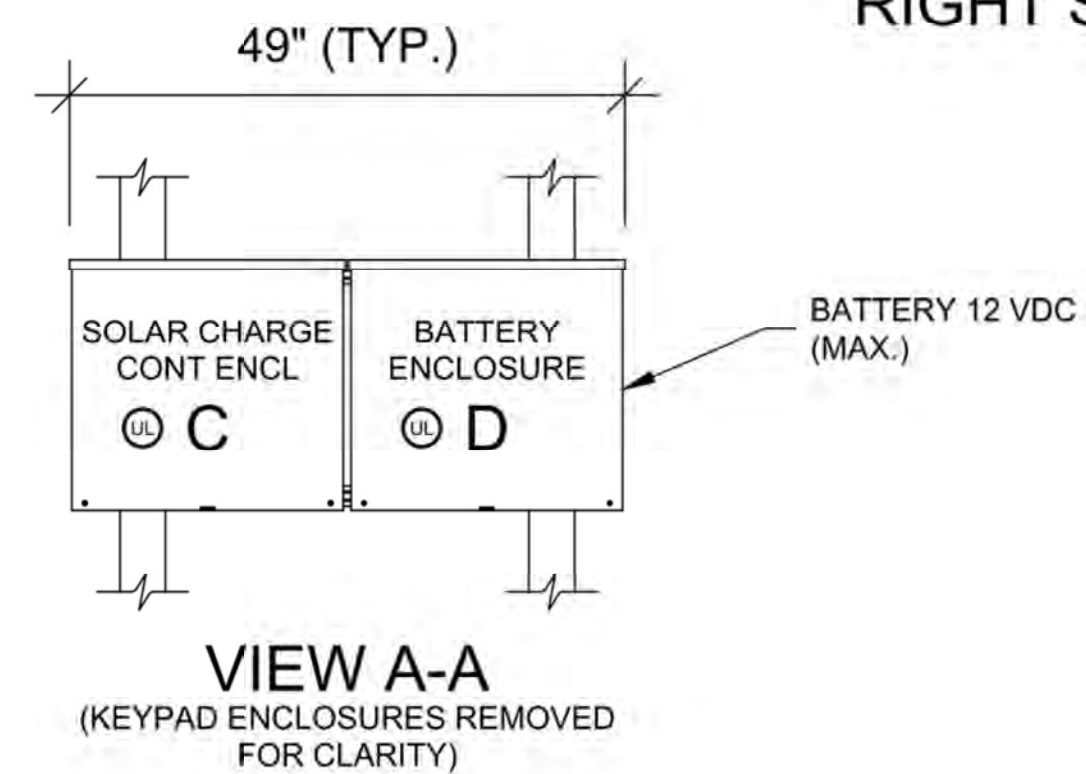
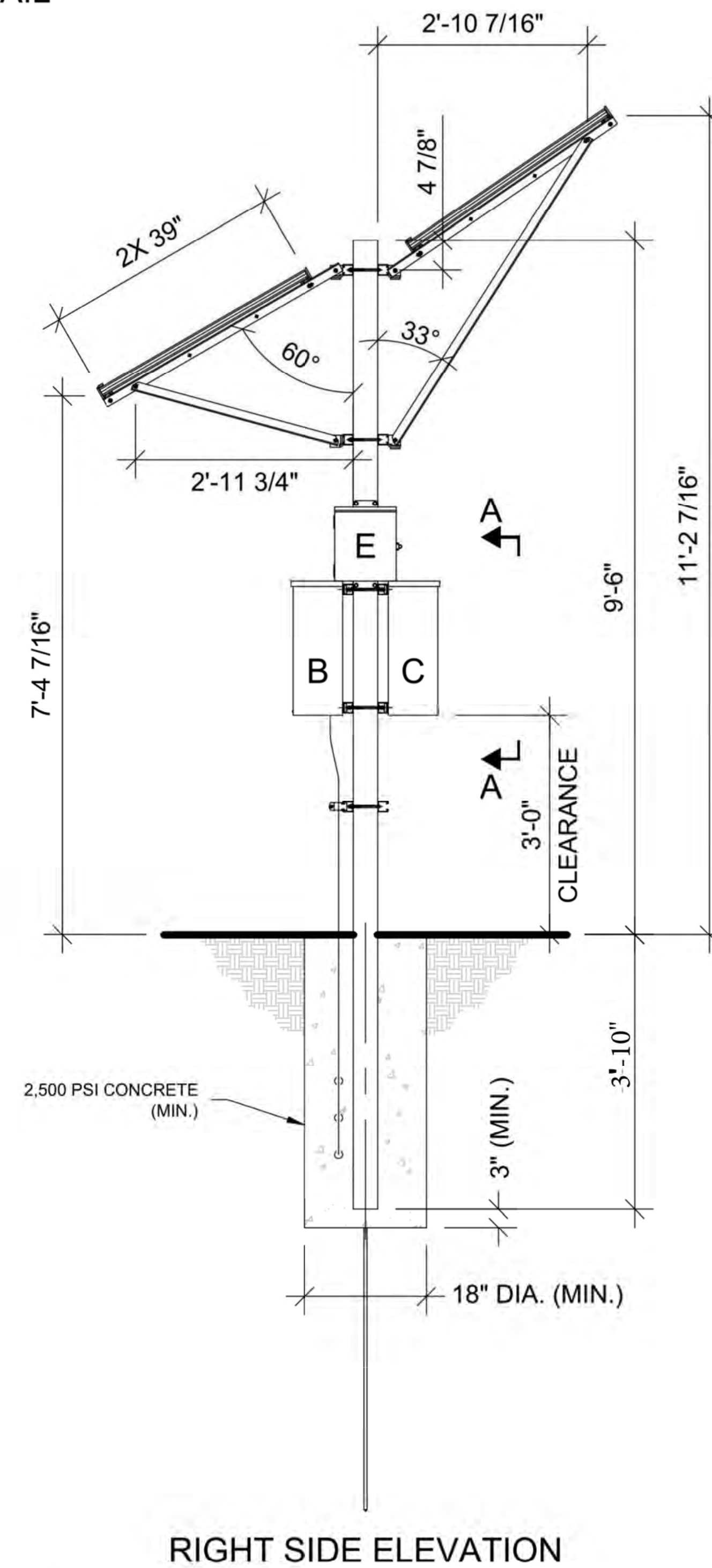
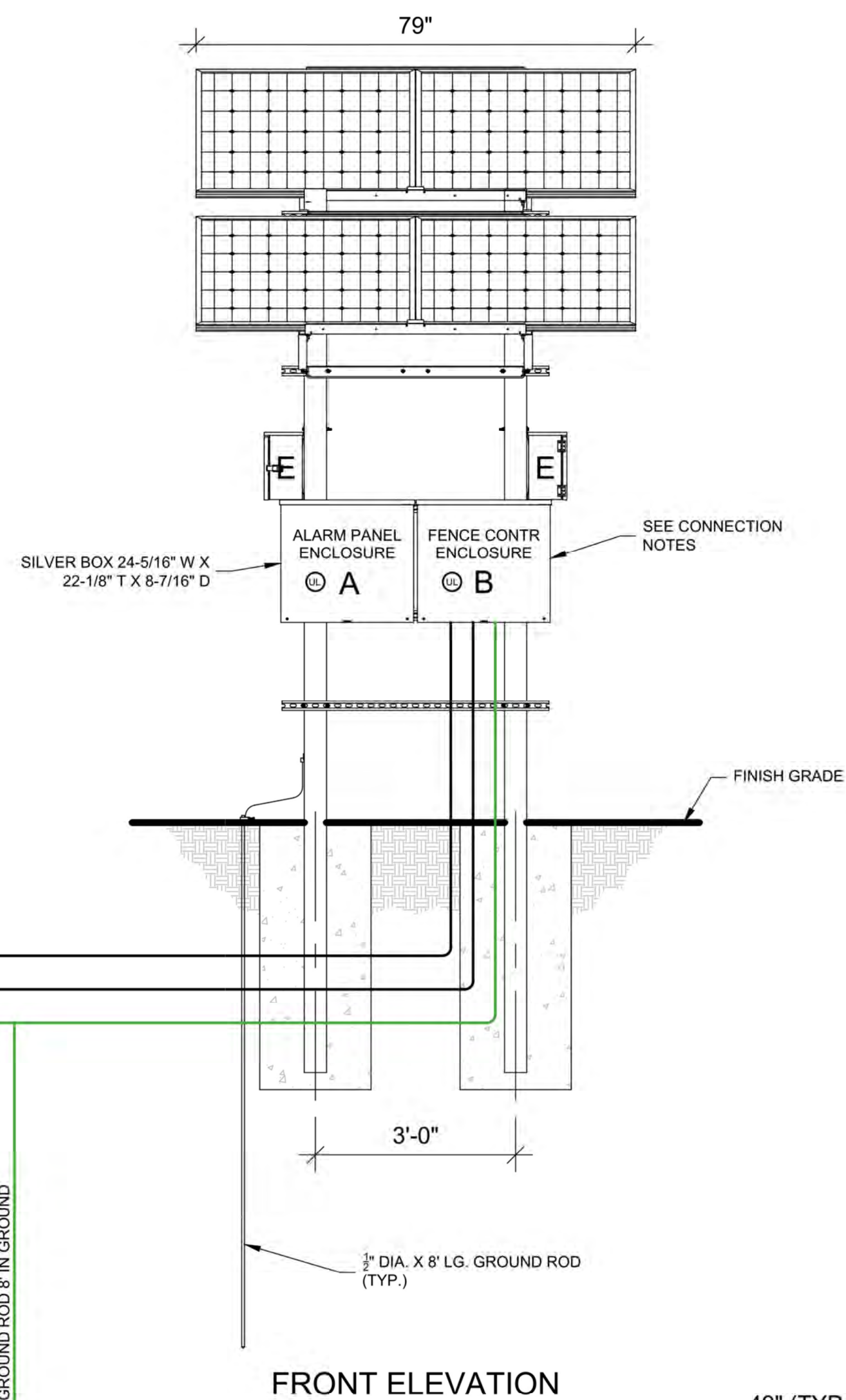
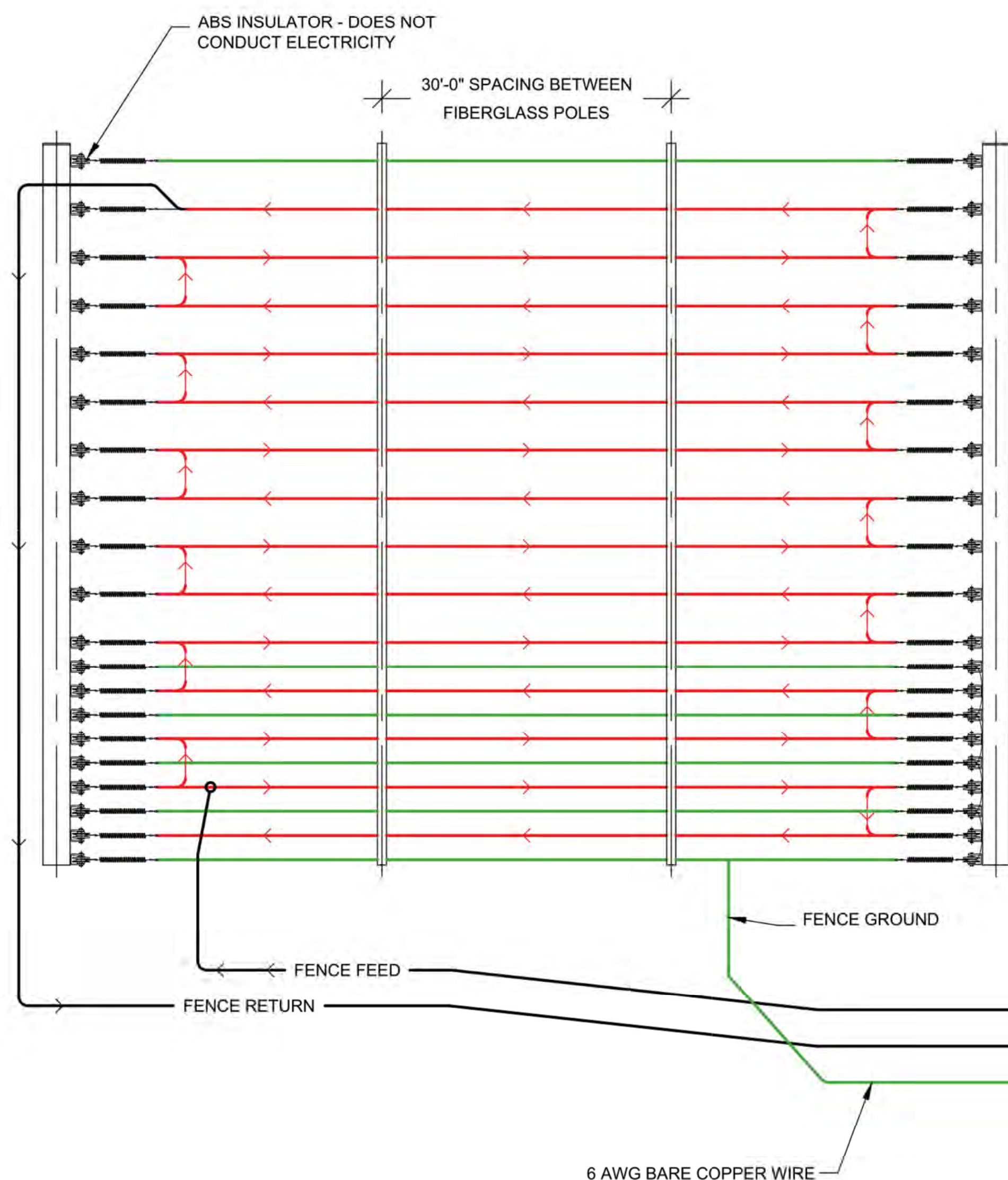
**GATE DETAIL**  
N.T.S.



WARNING SIGNS SHALL BE PLACED AT EACH ENTRANCE OF THE PROPERTY AND 30 FEET ON CENTER THEREAFTER

**EXAMPLE WARNING SIGN @ 9"x12"**

### WIRE RUN DETAILS & OUTSIDE MOUNTED ELECTRONICS/CONTROLLER WITH STEEL POLE DETAIL



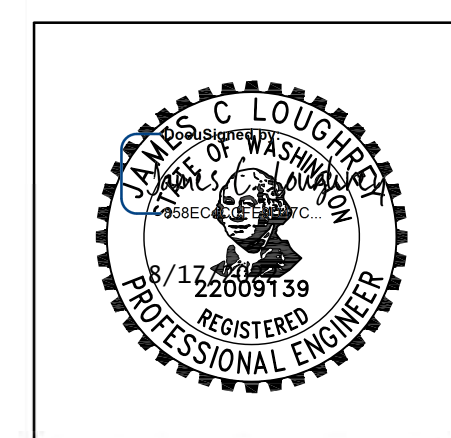
#### CONNECTION NOTES:

- A: ALARM PANEL ENCLOSURE - HOUSES THE ALARM CONTROL PANEL. THIS BOX INTERCONNECTS TO "B" / FENCE CONTROLLER ENCLOSURE USING THE APS WHIP / 10 CONDUCTOR CABLE AND "C" / SOLAR CHARGE CONTROLLER USING TWO CONDUCTOR CABLE. ENCLOSURE WEIGHT 21 LBS. (MAX.).
- B: FENCE CONTROLLER ENCLOSURE - HOUSES THE FENCE ENERGIZER OR EQUIVALENT. THIS BOX CONNECTS TO "A" / ALARM PANEL ENCLOSURE USING THE APS WHIP / 10 CONDUCTOR CABLE. ENCLOSURE WEIGHT 22 LBS. (MAX.).
- C: SOLAR CHARGE CONTROLLER ENCLOSURE - HOUSES POWER ELEMENTS FOR SOLAR CHARGE CONTROLLER AND DISCONNECTS FOR SOLAR, BATTERY, AND LOAD CONNECTIONS. POWER UP PROCEDURE: TURN ON BATTERY BREAKER FIRST, THEN TURN ON SOLAR BREAKER. THE ELECTRONICS POWER IS CONTROLLED BY THE LOAD BREAKER. ENCLOSURE WEIGHT 25 LBS. (MAX.).
- D: BATTERY ENCLOSURE - HOUSES THE BATTERIES AND INTERCONNECTS TO "C" / SOLAR CHARGE CONTROLLER ENCLOSURE USING TWO CONDUCTOR 14G AND 10G THWN WIRES. ENCLOSURE WEIGHT 130 LBS. (MAX.) - BATTERY WILL NOT EXCEED 70KWH.
- E: KEYPAD ENCLOSURE - HOUSES THE KEYPAD. THIS BOX INTERCONNECTS TO "B" USING 10 CONDUCTOR / 18 AWG WIRE. ENCLOSURE WEIGHT 12 LBS. (MAX.).

#### NOTES:

MOUNT 4 SILVER BOXES TO A PAIR OF 4"x4"x10GA (0.134 WALL THICKNESS) ASTM A500 GRADE B OR C STEEL POLES 55 KSI YIELD (MIN.). BOTTOM OF THE LOWEST BOX MUST BE A MINIMUM OF 2 FEET ABOVE GROUND LEVEL. THE SUPPORT POLES MUST BE EMBEDDED A MINIMUM OF 3'-10" BELOW GROUND LEVEL.

#	DATE / DESCRIPTION



PROJECT: **CALIBER COLLISION**  
**16125 SMOKEY POINT BLVD**  
**MARYSVILLE, WA 98271**

SHEET TITLE: **SITE PLANS**

DATE: **AUG 15, 2022**  
 SCALE: **SEE PLAN**