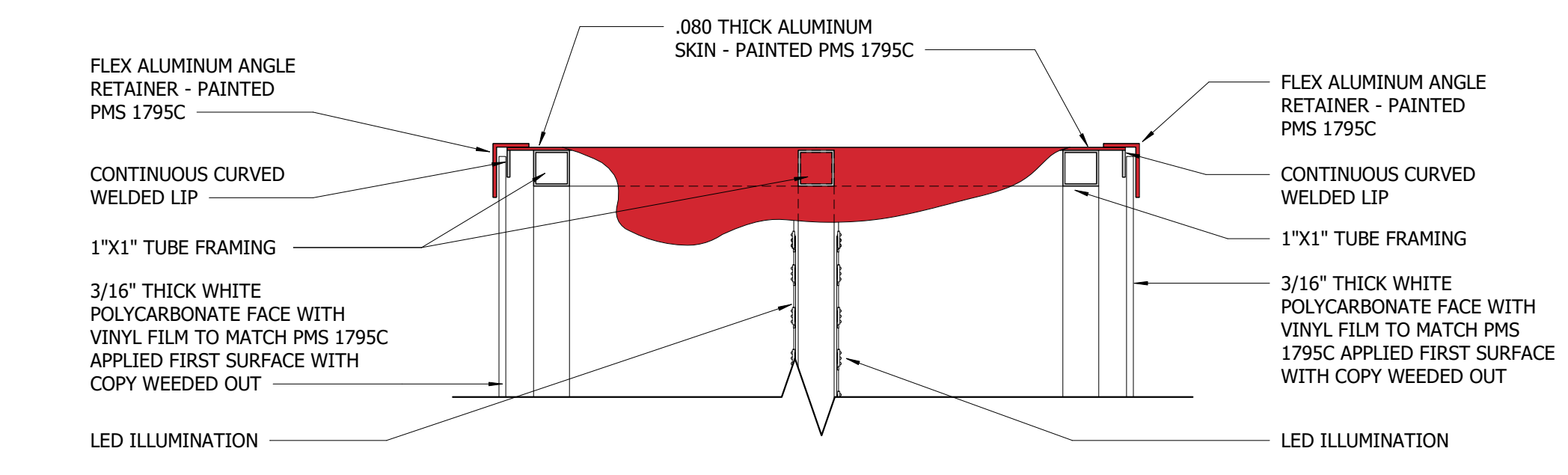
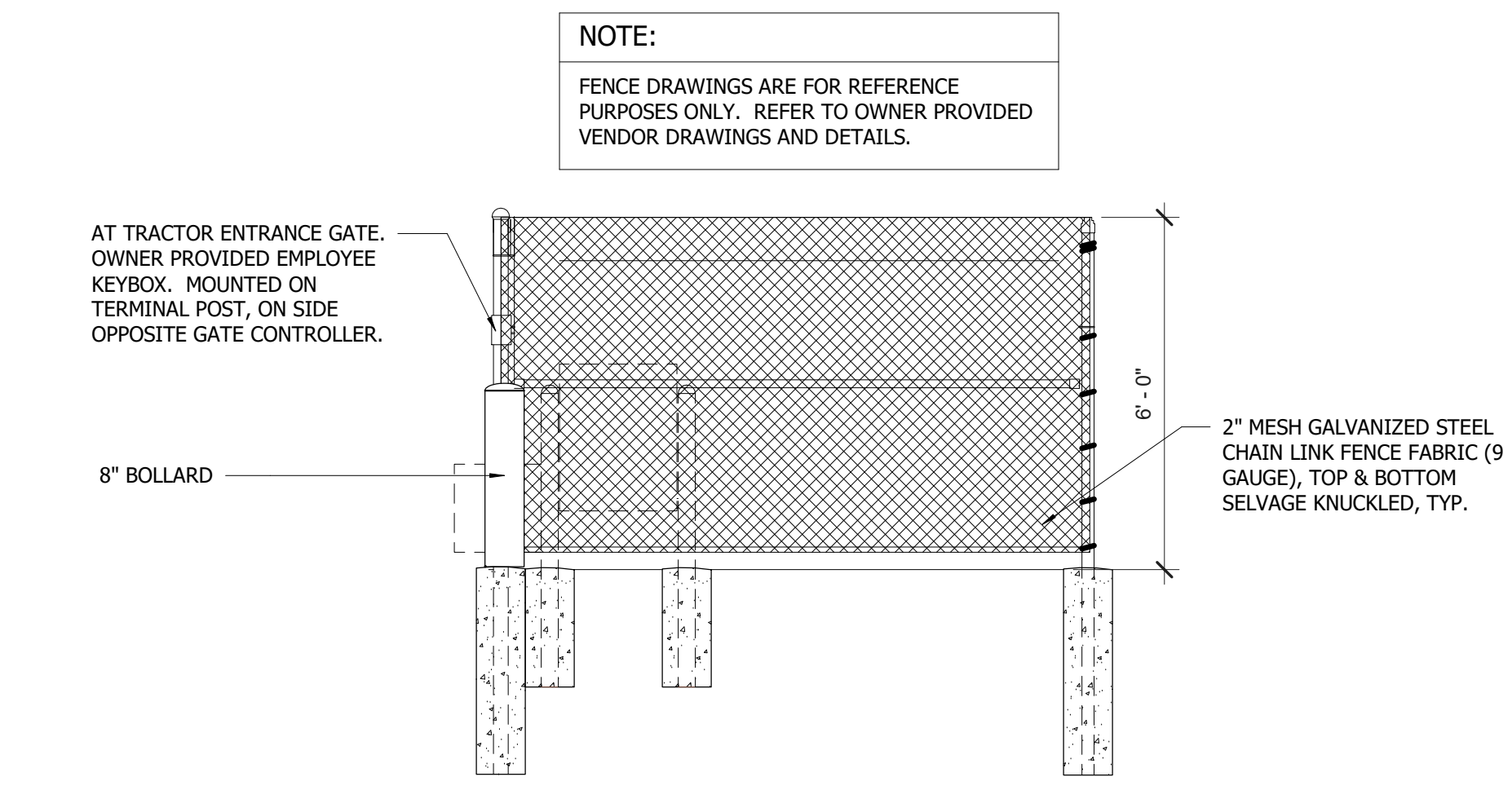


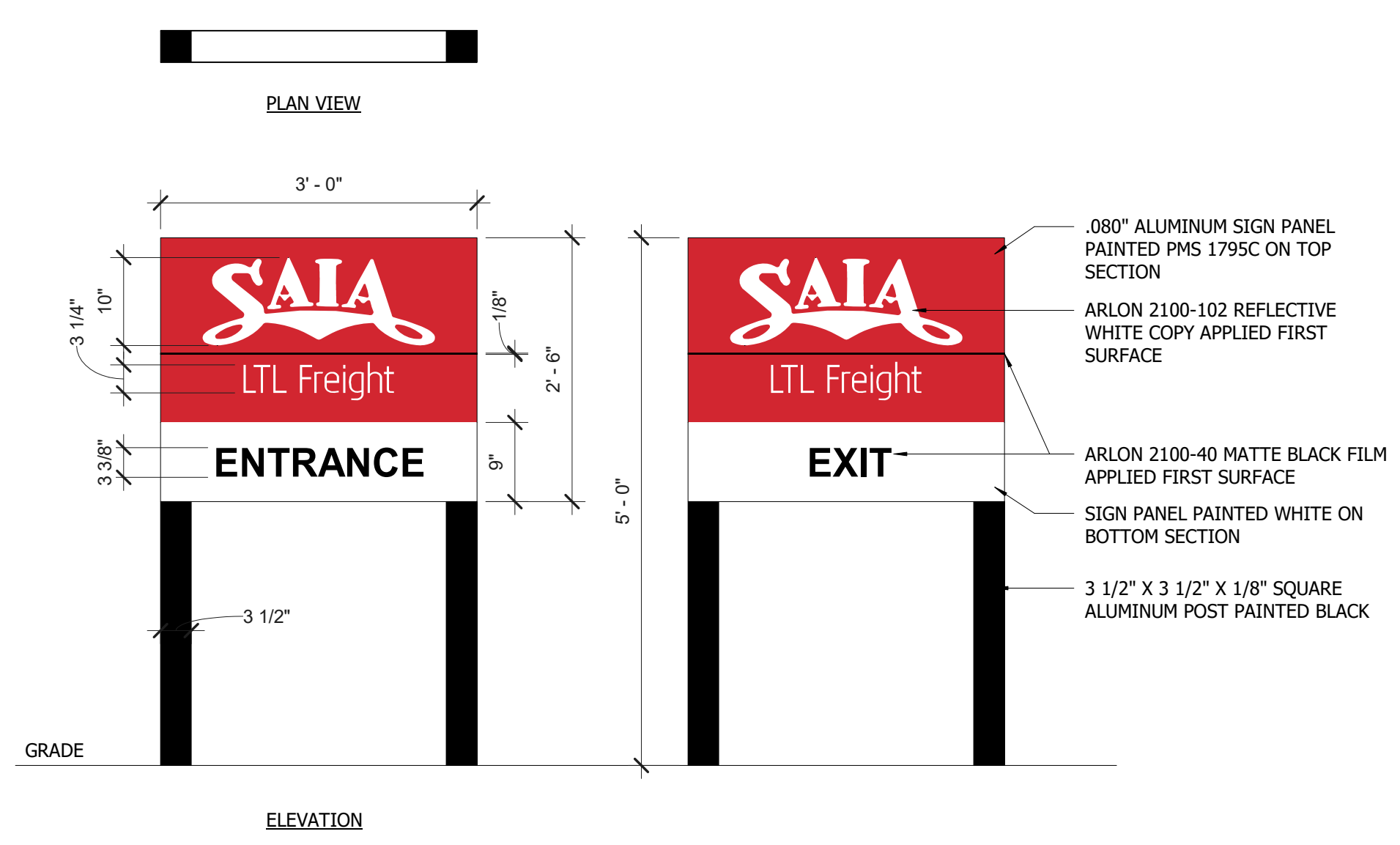
9 ILLUMINATED DOUBLE FACED MONUMENT SIGN
1/2" = 1'-0"



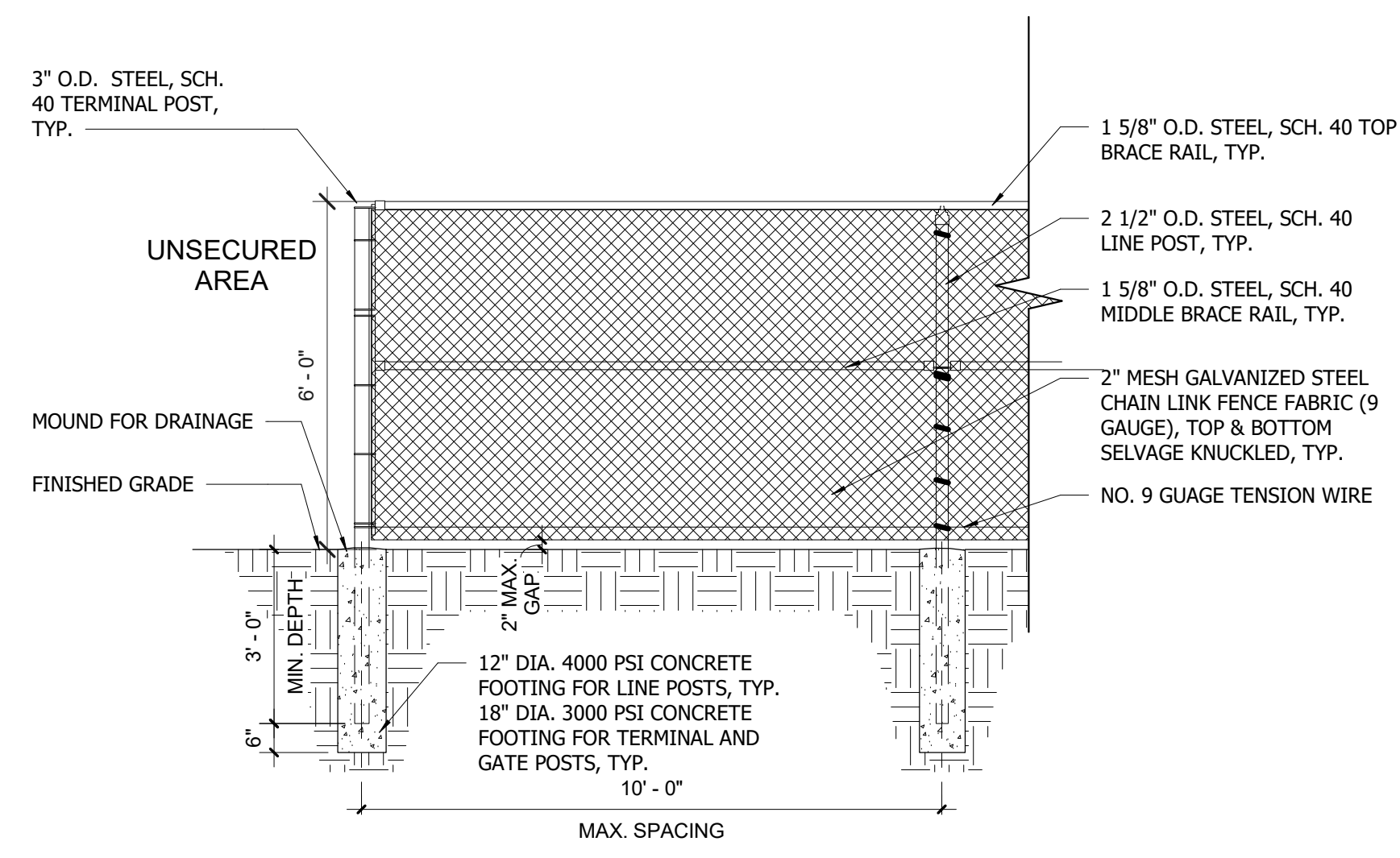
8 ILLUMINATED DOUBLE FACED MONUMENT SIGN - ENLARGED DETAIL
3" = 1'-0"



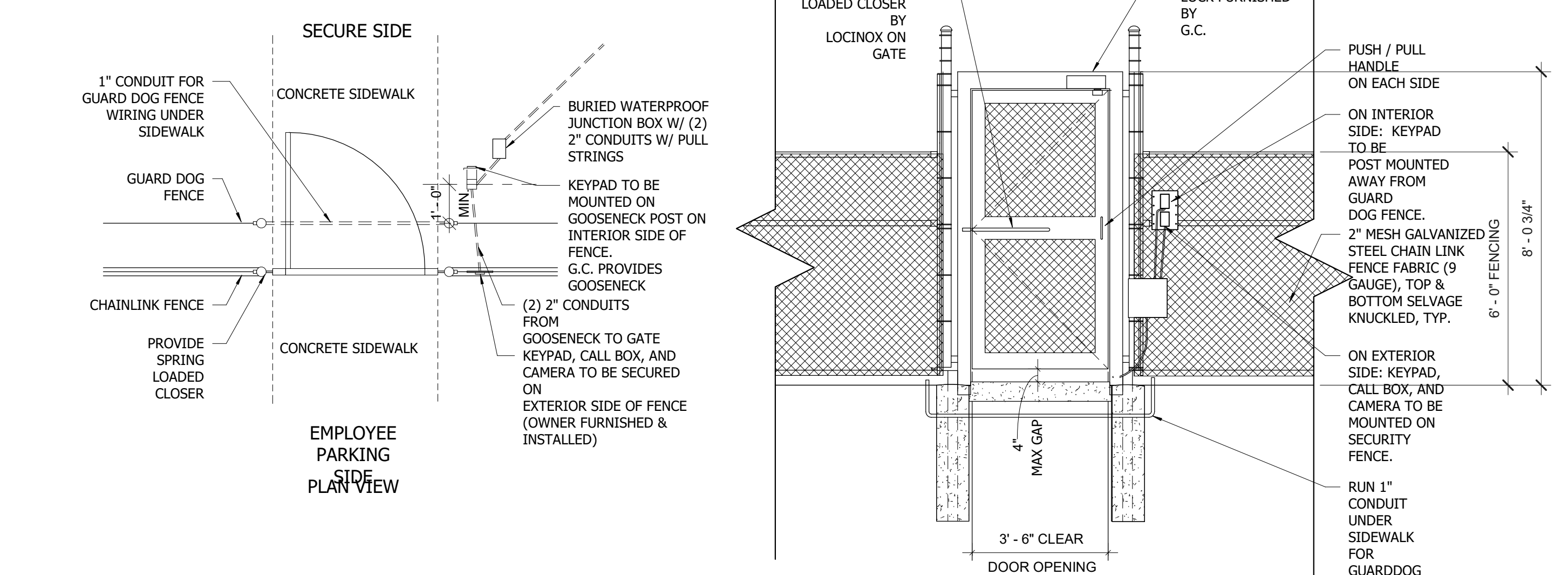
7 FENCE DETAIL - KEYBOX LOCATION
3/8" = 1'-0"



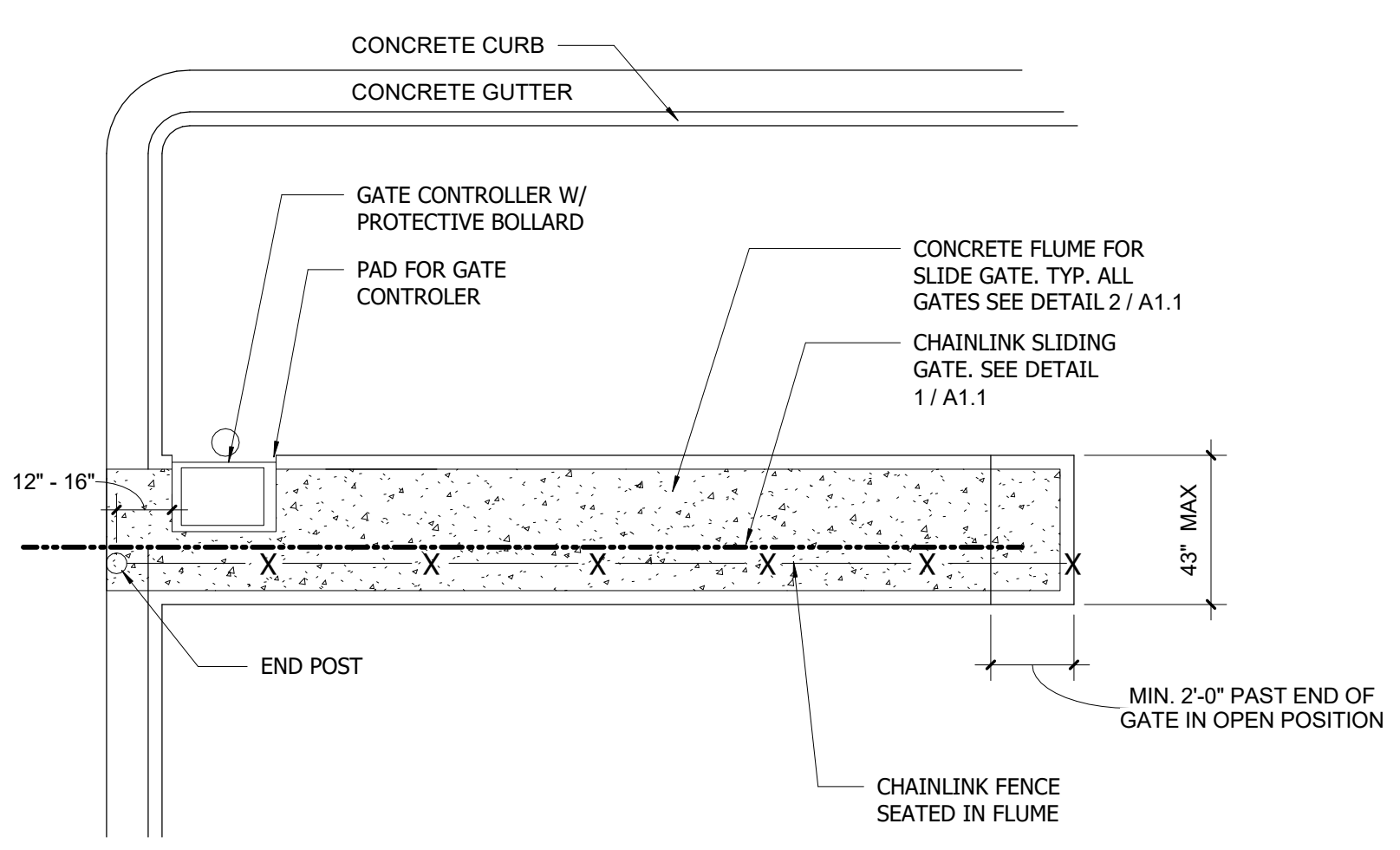
6 NON-ILLUMINATED DIRECTIONAL SIGNAGE
3/4" = 1'-0"



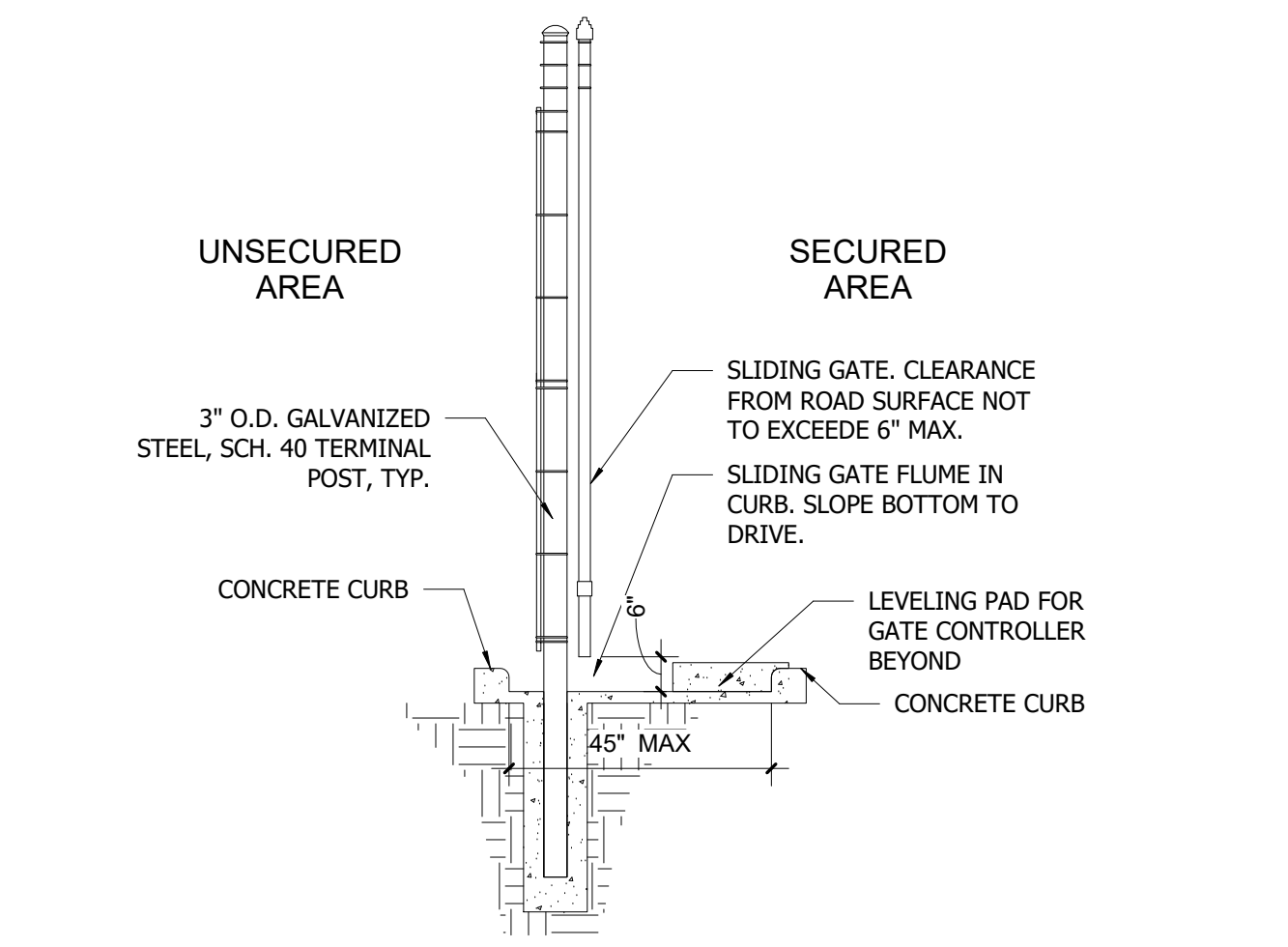
5 FENCE DETAIL - TYP SECTION
3/8" = 1'-0"



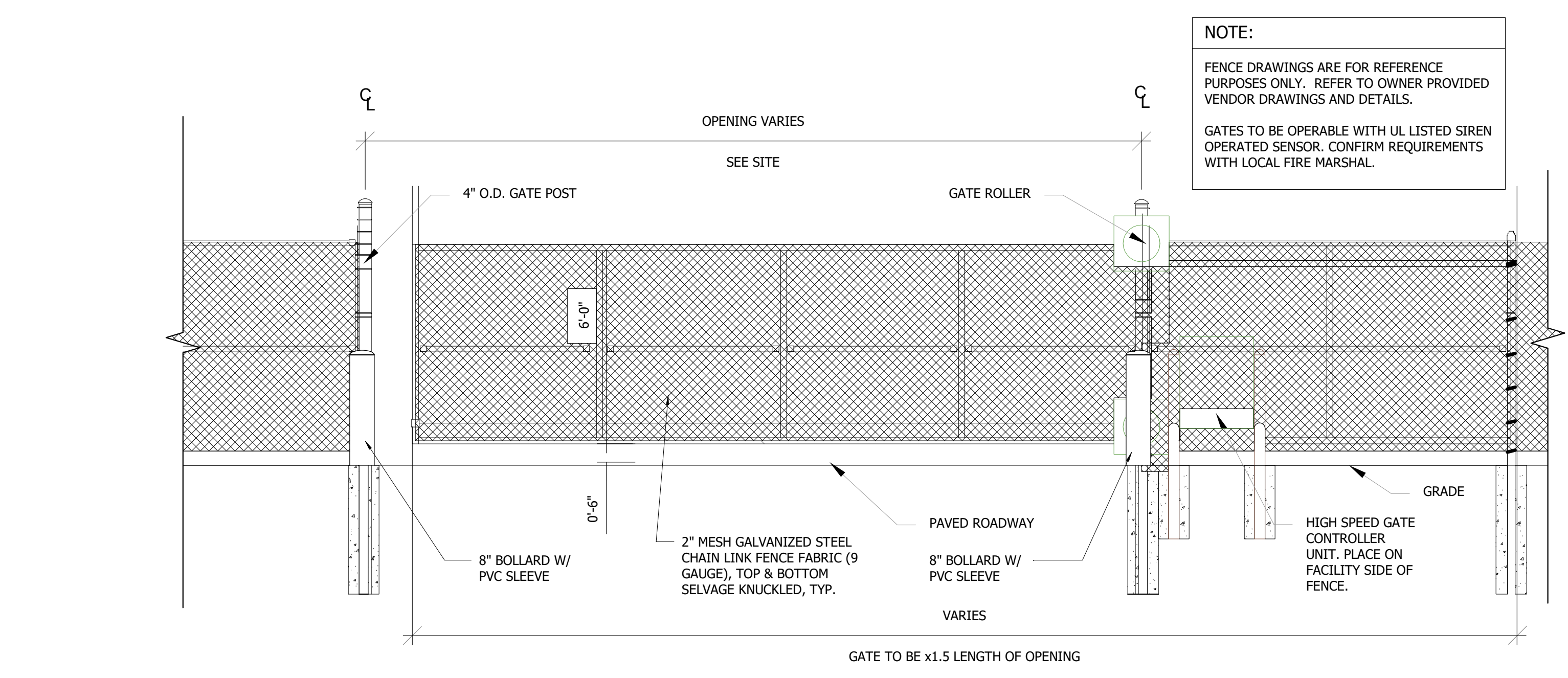
4 FENCE DETAIL - MAN GATE
3/8" = 1'-0"



3 SLIDING GATE FLUME - PLAN VIEW
1/4" = 1'-0"



2 FENCE DETAIL - VEHICLE SLIDING GATE FLUME
3/8" = 1'-0"



1 FENCE DETAIL - VEHICLE GATE
3/8" = 1'-0"