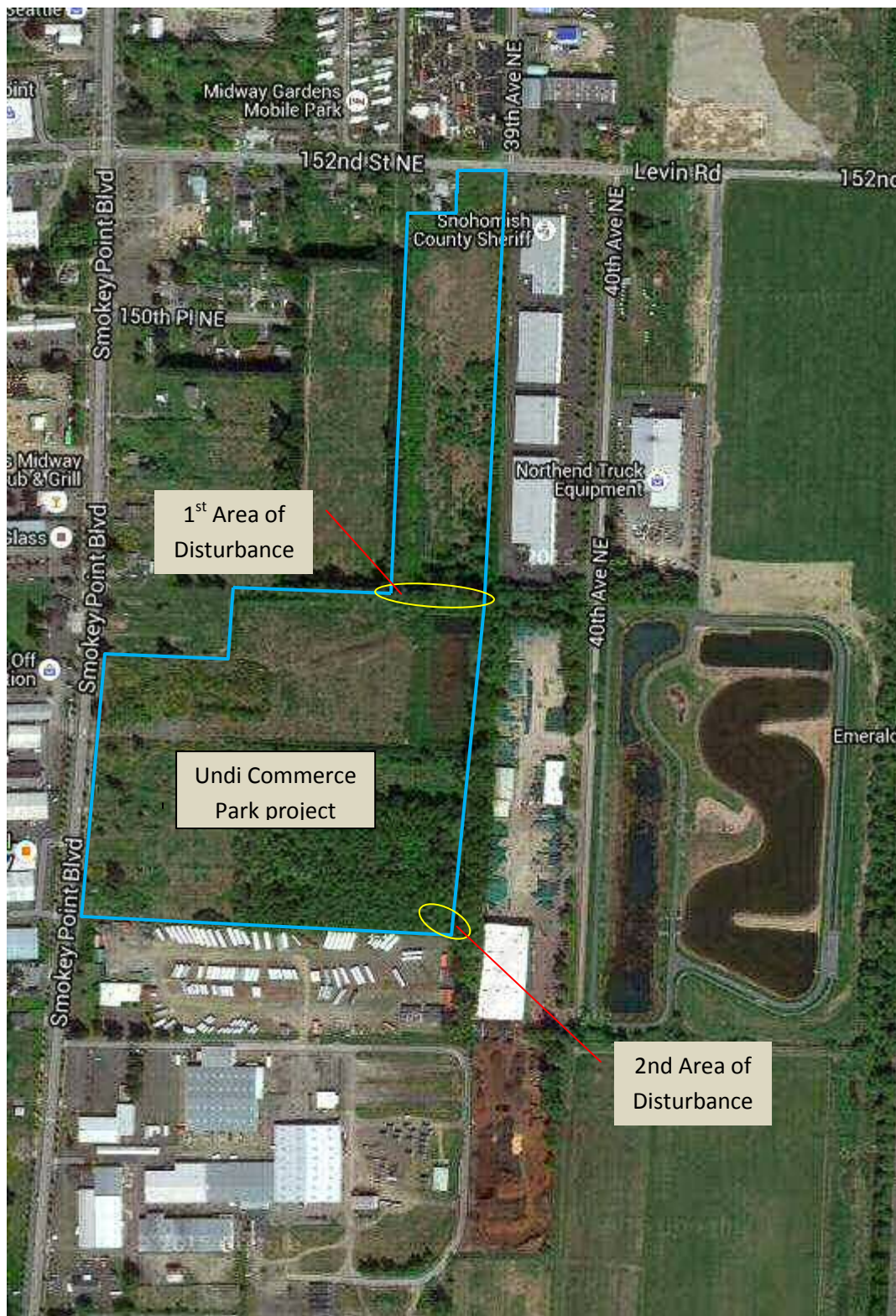


# Undi Commerce Park – Marysville Washington Vicinity Map



Reference: NWS-2016-745

Applicant: Smokey Point Investments, LLC

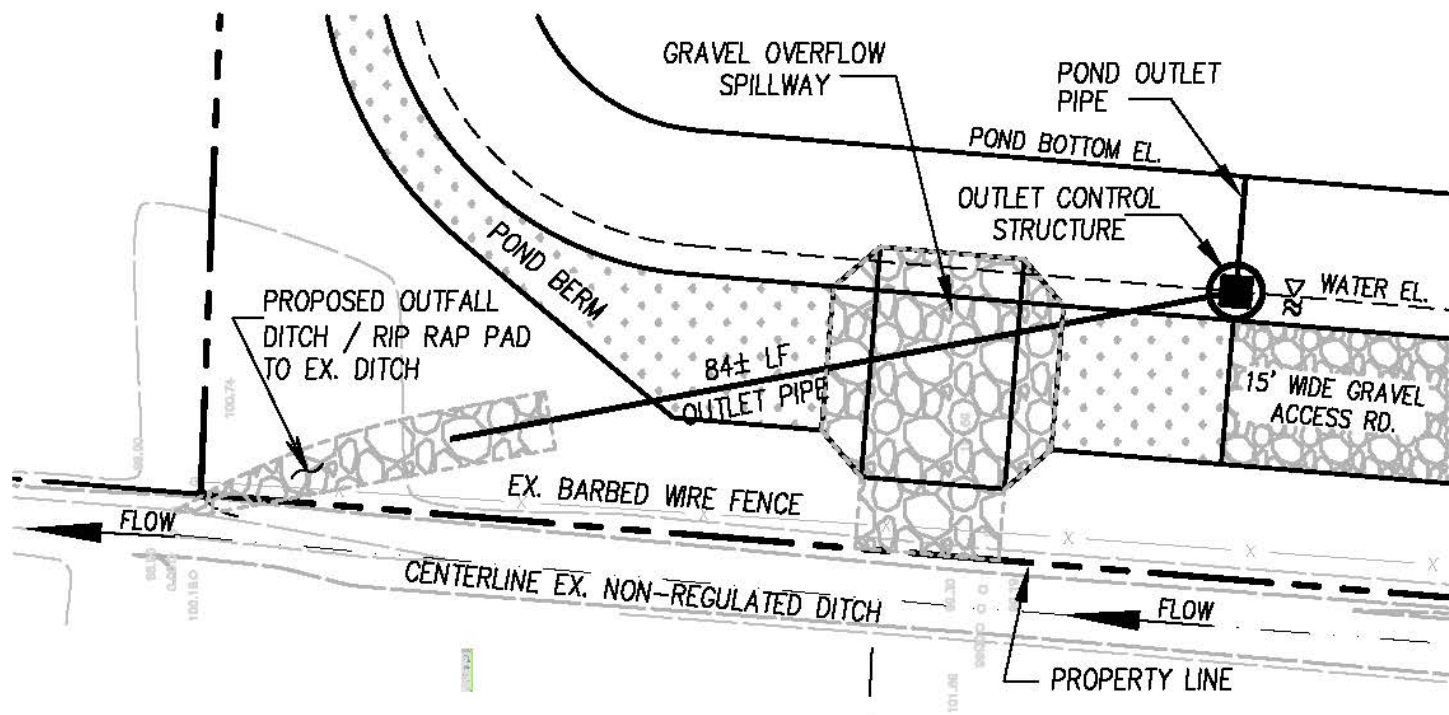
Location: 48.129266, -122.183333

Date: November 2, 2016

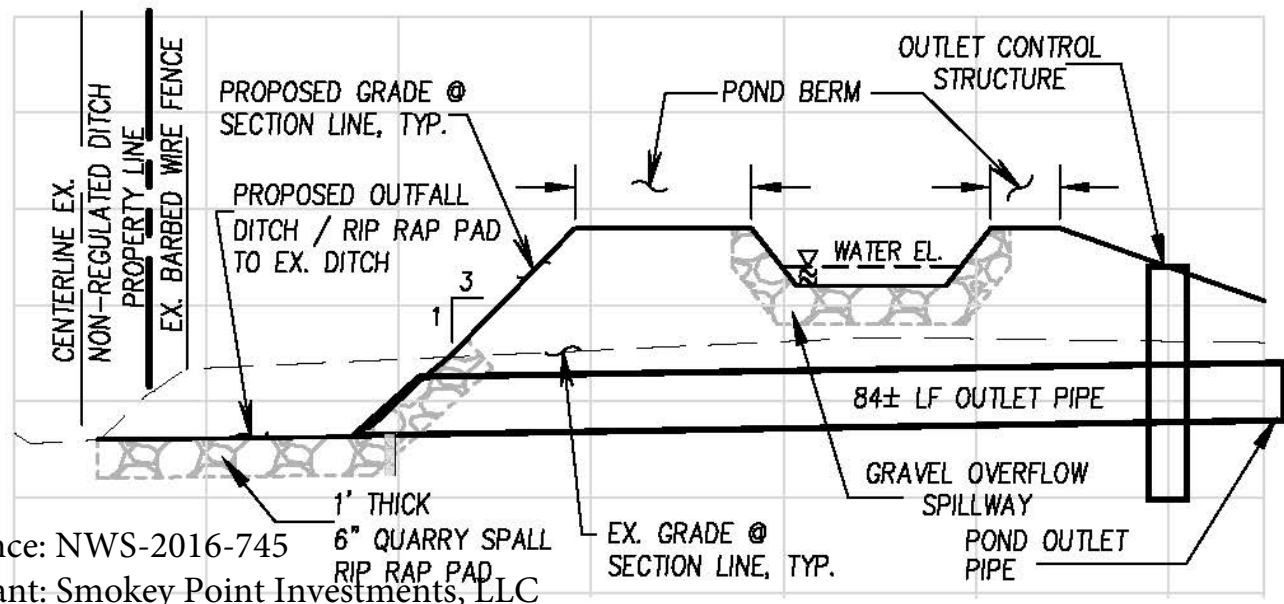
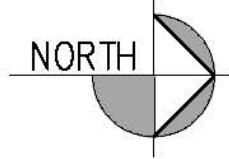
Page: 1 of 3







**PLAN VIEW**  
SCALE: 1" = 20' HORIZ.



**SECTION VIEW**  
SCALE: 1" = 20' HORIZ.  
1" = 5' VERT.

Reference: NWS-2016-745  
 Applicant: Smokey Point Investments, LLC  
 Location: 48.129266, -122.183333  
 Date: November 2, 2016  
 Page: 3 of 3



950 Pacific Avenue, Suite 450  
 Tacoma, WA 98402  
 253-572-4903

Undi Commerce Park

Designed By: JRE	Sheet Title: 2nd Area of Disturbance		
Drawn By: JRE	Job No.: 13-007	Ref. No.:	
Checked By: PBM	Scale: 1"=20'	Date: 05/23/16	