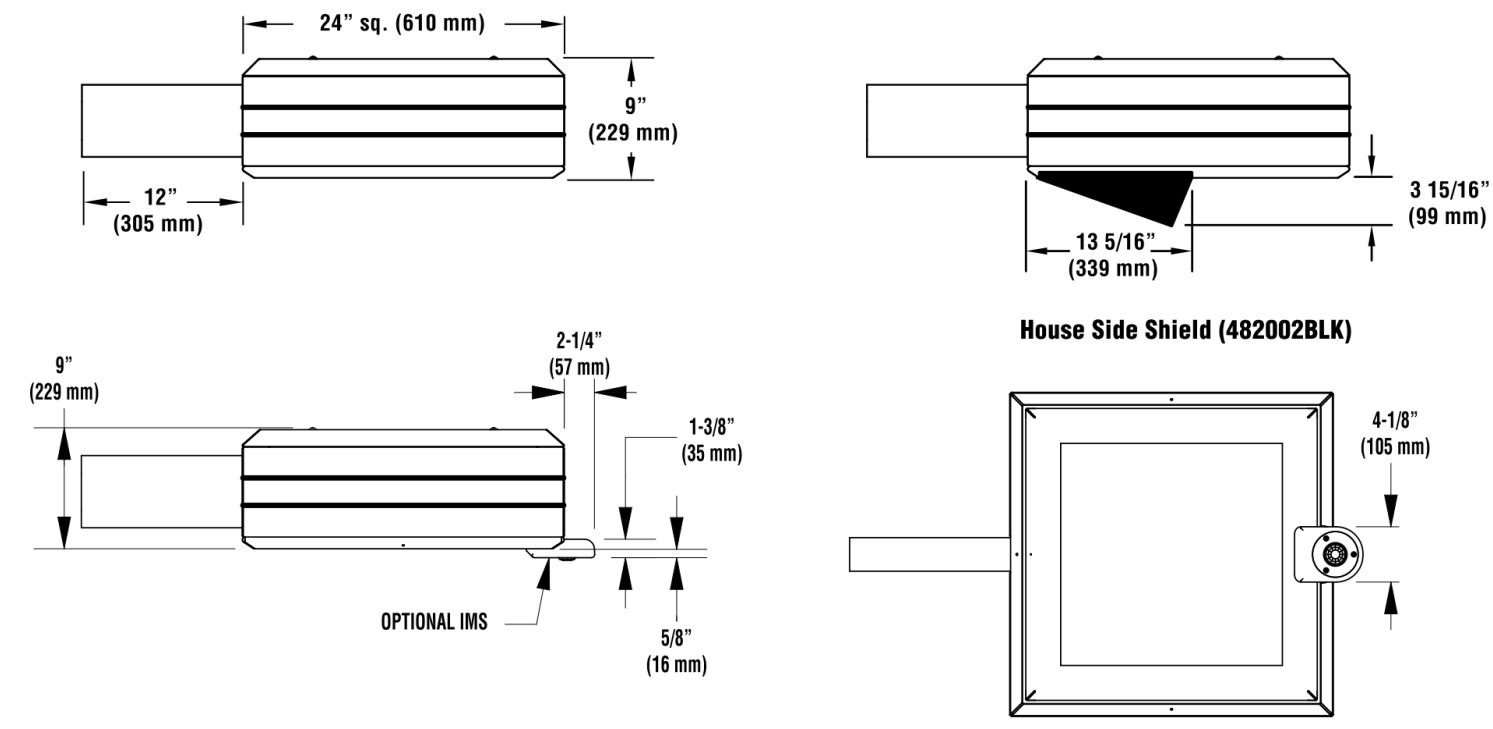


REVISIONS	BY

LED AREA LIGHTS - (XGBM)



LIGHT OUTPUT - XGBM						
Color	Type 3	Type 5	Type FT	Type FTA	Watts (Nominal)	
Cool White	LW	14080	13840	15020	16560	140
	SS	20180	18040	20700	23030	187
	HO	26750	25460	29070	31810	300

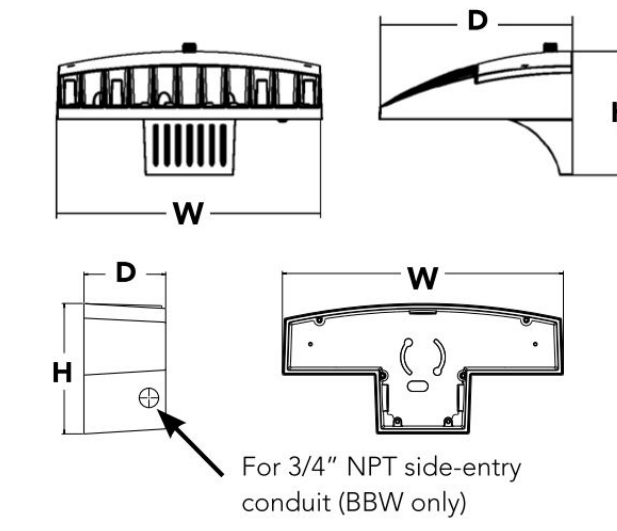
Isoline Values		Fc
Color		(Foot Candles)
		0.05
		0.1
		0.2
		0.5
		1



D-Series Size 1 LED Wall Luminaire

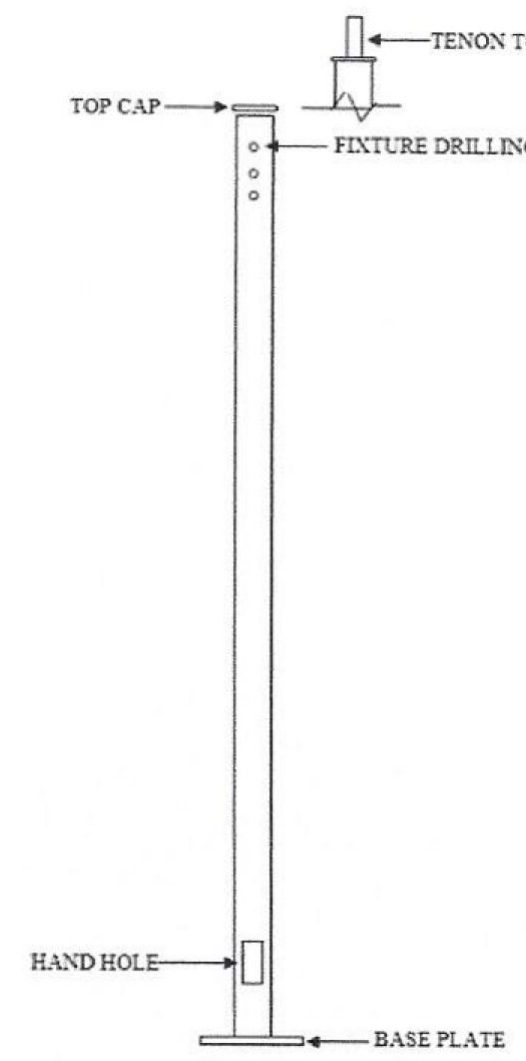
Specifications Luminaire

Width: 13-3/4" (34.9 cm)
Weight: 12 lbs (5.4 kg)
Depth: 10" (25.4 cm)
Height: 6-3/8" (16.2 cm)



Ordering Information EXAMPLE: DSXW1 LED 20C 1000 40K T3M MVOLT

Series	LEDs	Drive Current	Color temperature	Distribution	Voltage
DSXW1 LED	10C 10 LEDs (one engine)	350 350 mA	40K 4000 K	T3M Type III Medium	MVOLT ²

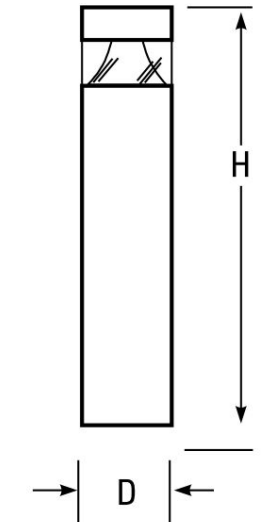


POLE
GARMIRE GSQ415-11GA-TC-BRZ
SHAFT: 4 IN. SQUARE STEEL
GAUGE: 11 A500B
POLE HEIGHT: 15'-0"
HAND HOLE: 3" X 5"
HAND HOLE ELEVATION: 18" O.C.
BASE PLATE: 1/2" A36
BOLT CIRCLE: 9.5"
ANCHOR BOLTS: (4) 3/4" X 24" X 3"
ANCHOR BOLT GRADE: F1554GR36
BASE COVER: 2-PIECE SQUARE



KBR8 LED LED Specification Bollard

Specifications
8" Round (20.3 cm)
Height: 40" (101.6 cm)
Weight (max): 27 lbs (12.25 kg)



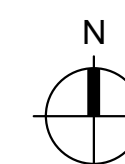
Ordering Information EXAMPLE: KBR8 LED 16C 700 40K SYM MVOLT

Series	LEDs	Drive current	Color temperature	Distribution	Voltage
KBR8 LED	Symmetric 16C 16 LEDs ²	700 700 mA	50K 5000 K	SYM Symmetric ²	MVOLT ³



PHOTOMETRIC SITE PLAN

1" = 20'-0" @ FULL SIZE

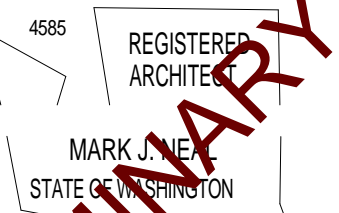


10/12/2022 9:40:08 AM M:\22\22428\50 CD-phase\22428 Lot 2 White Barn - Site Plan 3.rvt



509.663.6455
 MJNEAL@MJNEALAA.COM
 WWW.MJNEALAA.COM
 P.O. BOX 1945
 WENATCHEE, WA 98807

© Copyright 2022



PRELIMINARY

**NEW BUILDING FOR:
 WHITE BARN LOT 2
 MARYSVILLE, WA**

Date: 2022-10-07

Scale Factor: 1

Drawn: JJB

File: 22428

Sheet

A1.3