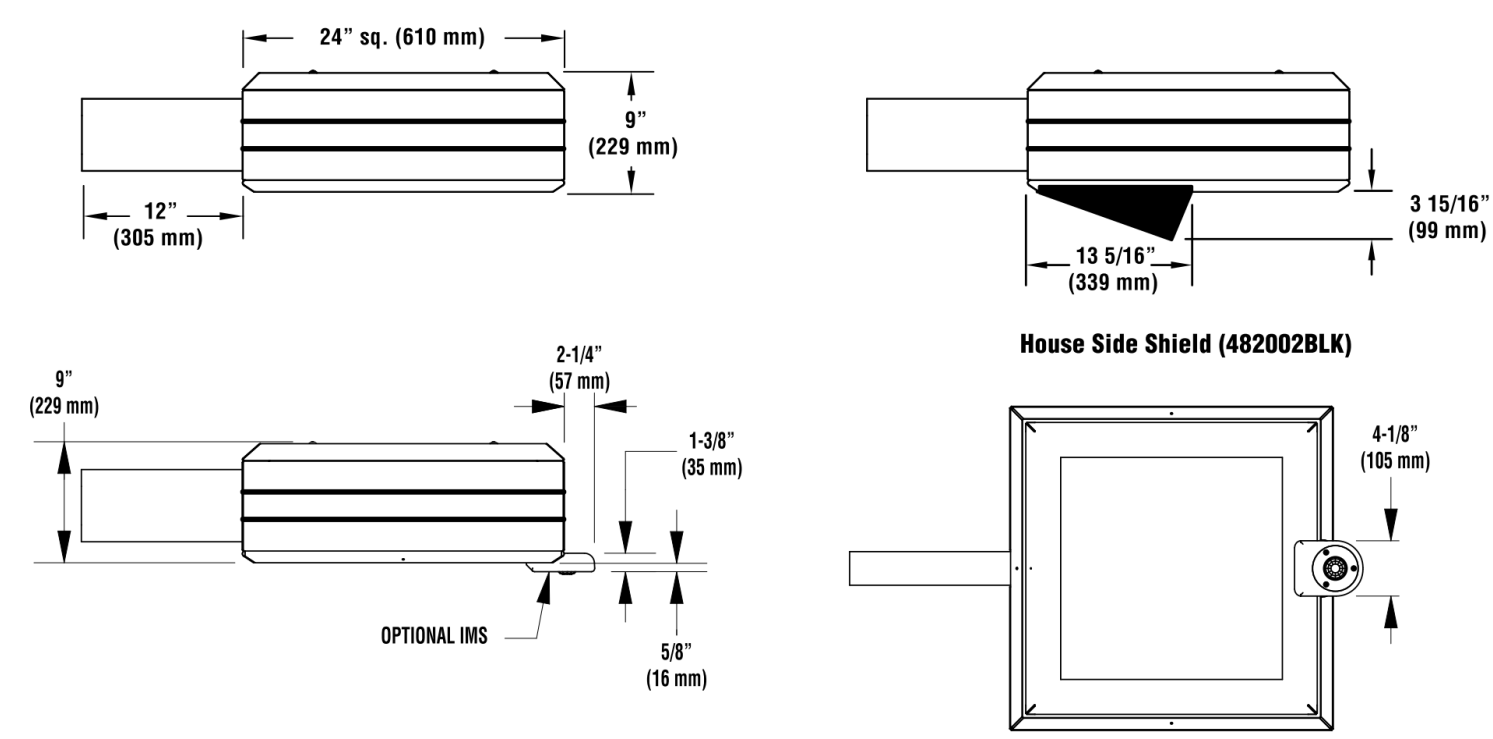


REVISIONS	BY

LED AREA LIGHTS - (XGBM)



Isoline Values	
Color	Fc (Foot Candles)
	0.05
	0.1
	0.2
	0.5
	1

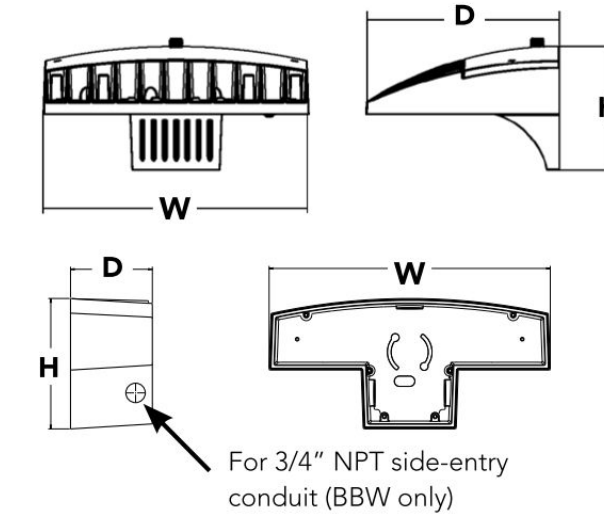
LIGHT OUTPUT - XGBM						
Color	Type 3	Type 5	Type FT	Type FTA	Watts (Nominal)	
Cool White	LW	14080	13840	15020	16560	140
	SS	20180	18040	20700	23030	187
	HO	26750	25460	29070	31810	300



D-Series Size 1 LED Wall Luminaire

Specifications Luminaire

Width: 13-3/4" (34.9 cm) **Weight:** 12 lbs (5.4 kg)
Depth: 10" (25.4 cm)
Height: 6-3/8" (16.2 cm)



Ordering Information

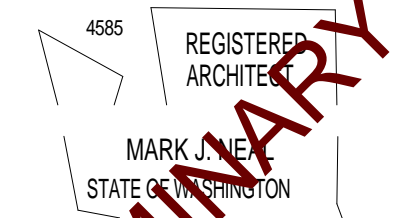
EXAMPLE: DSXW1 LED 20C 1000 40K T3M MVOLT

Series	LEDs	Drive Current	Color temperature	Distribution	Voltage
DSXW1 LED	10C 10 LEDs (one engine)	350 350 mA	40K 4000 K	T3M Type III Medium	MVOLT ?

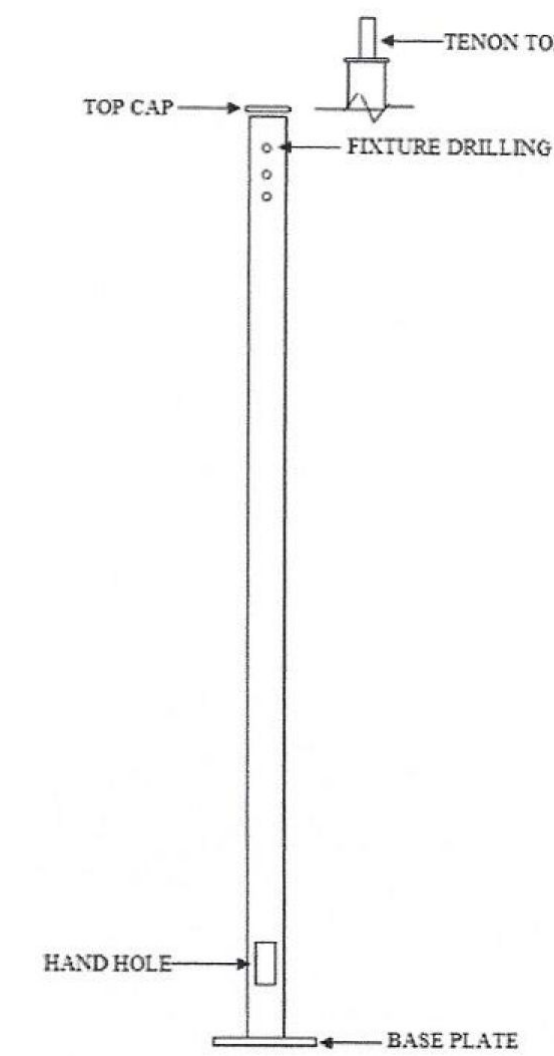


509.663.6455
 MJNEAL@MJNEALALA.COM
 WWW.MJNEALALA.COM
 P.O. BOX 1945
 WENATCHEE, WA 98807

© Copyright 2022



PRELIMINARY

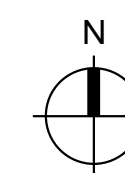


POLE

GARMIRE GSQ415-11GA-TC-BRZ
 SHAFT: 4 IN. SQUARE STEEL
 GAUGE: 11 A500B
 POLE HEIGHT: 15'-0"
 HAND HOLE: 3" X 5"
 HAND HOLE ELEVATION: 18" O.C.
 BASE PLATE: 1/2" A36
 BOLT CIRCLE: 9.5"
 ANCHOR BOLTS: (4) 3/4" X 24" X 3"
 ANCHOR BOLT GRADE: F1554GR36
 BASE COVER: 2-PIECE SQUARE

PHOTOMETRIC SITE PLAN

1" = 20'-0" @ FULL SIZE



**NEW BUILDING FOR:
 WHITE BARN LOT 2
 MARYSVILL, WA**

Date: 2022-06-24

Scale Factor: 1

Drawn: JJB

File: 22428

Sheet

A1.3