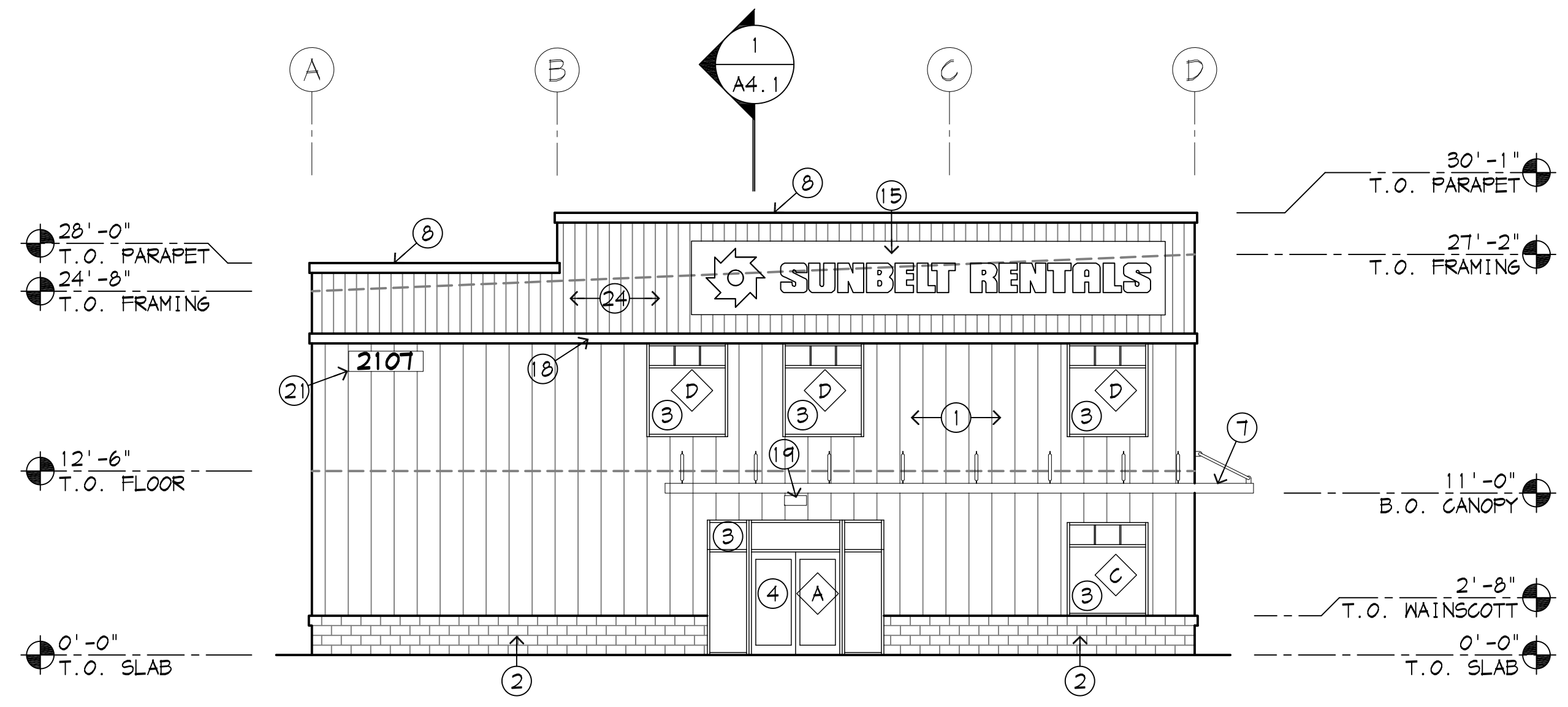
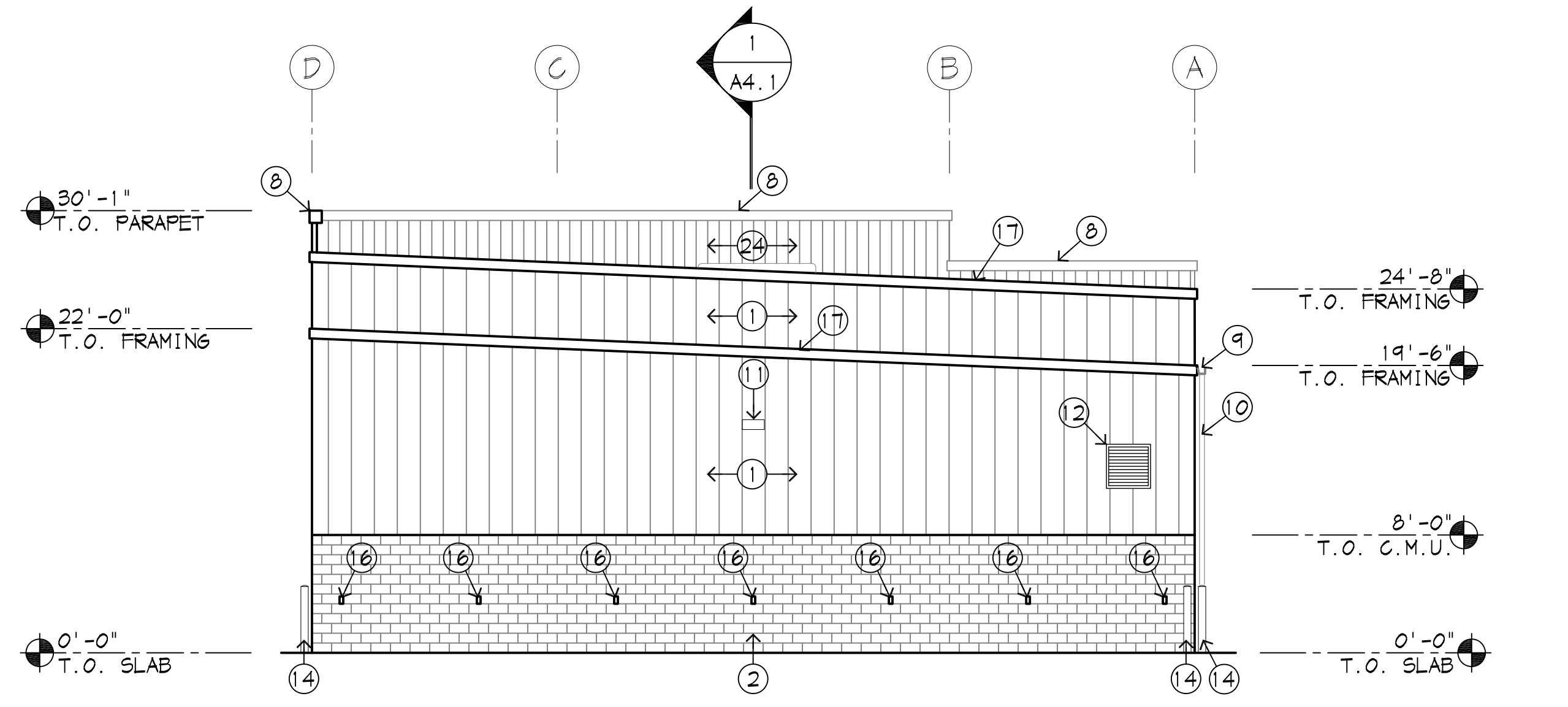


1 NORTH ELEVATION
SCALE: 1/8" = 1'-0"



2 EAST ELEVATION
SCALE: 1/8" = 1'-0"



3 WEST ELEVATION
SCALE: 1/8" = 1'-0"

ELEVATION NOTES

1. METAL SIDING, 266A. PREFINISHED METAL, PAINT COLOR C-3.
2. CONCRETE MASONRY UNIT WALL. PER STRUCTURAL. COLOR
3. STOREFRONT FRAMING W/ 1" INSULATED GLASS. SEE WINDOW TYPES DWG. A5.3
4. STOREFRONT ENTRY DOOR. PAINT COLOR C-2. SEE DOOR SCHEDULE DWG. A5.1. SEE WINDOW TYPES ON A5.3.
5. HOLLOW METAL DOOR & FRAME PAINT COLOR C-2. SEE DOOR SCHEDULE DWG. A5.1.
6. SECTIONAL OVERHEAD DOOR. PAINT COLOR C-2. SEE DOOR SCHEDULE DWG. A5.1.
7. METAL CANOPY ROOF. PAINT COLOR C-1.
8. PARAPET COPING. PREFINISHED METAL. PAINT COLOR C-2.
9. PREFINISHED METAL GUTTER. PAINT COLOR C-2.
10. DOWNSPOUT. SCHEDULE 40 PVC PAINT COLOR C-2.
11. LIGHT FIXTURE. COORD. W/ ELECTRICAL.
12. LOUVER. SEE WINDOW LOUVER AND RELITE TYPES ON A5.3 FOR LOUVER TYPES.
13. ELECTRICAL EQUIPMENT - PAD MOUNTED REFER TO DTL. 8 ON A1.2
14. BOLLARD.
15. SIGN.
16. CHARGING STATION OUTLET.
17. EDGE FLASHING. PREFINISHED METAL. COLOR
18. METAL TRIM. PREFINISHED METAL. COLOR
19. EMERGENCY AND MEANS OF EGRESS LIGHT FIXTURE. FIXTURE SHALL BE CONTROLLED BY LIGHT SENSOR SO THAT IT IS LIGHTED AT ALL NON-DAYLIGHT HOURS. PROVIDE AN EMERGENCY POWER SUPPLY WITH A MINIMUM DURATION OF 90 MINUTES FOR THIS FIXTURE.
20. FIRE DEPARTMENT KEY BOX WITH BUILDING ACCESS KEYS. CONTACT TO OBTAIN. MARYSVILLE FIRE DISTRICT RFA AT (360)363-8500 OR (425)407-3999.
21. ADDRESS LETTERS 18" HIGH. FONT: ARIAL. COLOR TO CONTRAST WITH BACKGROUND COLOR. VERIFY ADDRESS WITH COUNTY PRIOR TO FABRICATION.
22. EXHAUST FAN TERMINATION. COORDINATE WITH ELECTRICAL CONTRACTOR
23. STANDING SEAM METAL ROOF. 246A. SSR GALVALUME METAL ROOF PANELS. COLOR - WHITE
24. METAL SIDING, 266A. PREFINISHED METAL, PAINT COLOR C-1.
25. CMU MAINSCOTT. - STYLE COLOR
26. SKYLIGHT.

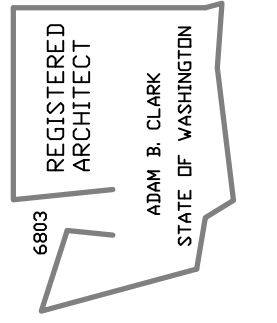
EXTERIOR COLORS

- C1 SUNBELT RENTALS GREEN
- C2 SHERWIN WILLIAMS - WEB GRAY "SW7075"
- C3 SHERWIN WILLIAMS - DORIAN GRAY "SW7017"
- C4 SUNBELT RENTALS YELLOW
- C5 SUNBELT RENTALS BLACK
- C6 SUNBELT RENTALS WHITE

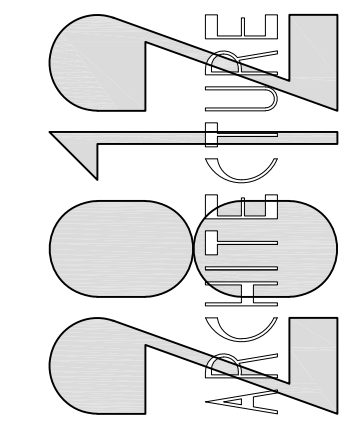
ELEVATION LEGEND

- (X) ELEVATION NOTES
- (X) WINDOW PER WINDOW LOUVER AND RELITE TYPES ON DWG. A5.3

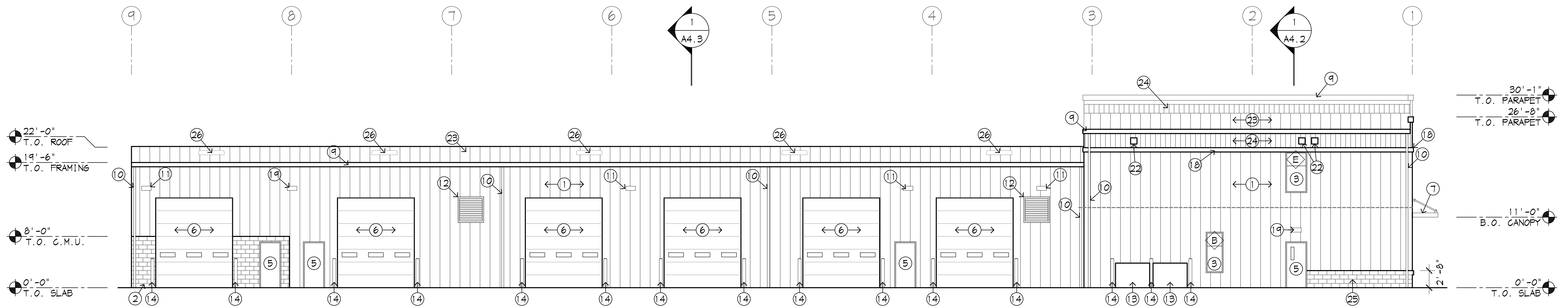
Date:	T. JUNE 2022	PRELIMINARY
For:	18 JULY '23	BUILDING PERMIT SUBMITTAL



2812 Colby Avenue
Everett WA 98201
(425) 252-2153 p
www.2812architecture.com



A New Equipment Rental Facility for:
PILCHUCK RENTALS - SMOKEY POINT
3304 156TH ST NE
MARYSVILLE, WASHINGTON 98271



1 SOUTH ELEVATION
SCALE: 1/8" = 1'-0"

ELEVATION NOTES

1. METAL SIDING. 266A. PREFINISHED METAL, PAINT COLOR C-3.
2. CONCRETE MASONRY UNIT WALL. PER STRUCTURAL. COLOR
3. STOREFRONT FRAMING W/ 1" INSULATED GLASS. SEE WINDOW TYPES DWG. A5.3.
4. STOREFRONT ENTRY DOOR. PAINT COLOR C-2. SEE DOOR SCHEDULE DWG A5.1. SEE WINDOW TYPES ON A5.3.
5. HOLLOW METAL DOOR & FRAME PAINT COLOR C-2. SEE DOOR SCHEDULE DWG. A5.1.
6. SECTIONAL OVERHEAD DOOR. PAINT COLOR C-2. SEE DOOR SCHEDULE DWG. A5.1.
7. METAL CANOPY ROOF. PAINT COLOR C-1.
8. PARAPET COPING. PREFINISHED METAL. PAINT COLOR C-2.
9. PREFINISHED METAL GUTTER. PAINT COLOR C-2.
10. DOWNSPOUT. SCHEDULE 40 PVC PAINT COLOR C-2.
11. LIGHT FIXTURE. COORD. W/ ELECTRICAL.
12. LOUVER. SEE WINDOW LOUVER AND RELITE TYPES ON A5.3 FOR LOUVER TYPES.
13. ELECTRICAL EQUIPMENT - PAD MOUNTED REFER TO DTL. 8 ON A1.2
14. BOLLARD.
15. SIGN.
16. CHARGING STATION OUTLET.
17. EDGE FLASHING. PREFINISHED METAL. COLOR
18. METAL TRIM. PREFINISHED METAL. COLOR
19. EMERGENCY AND MEANS OF EGRESS LIGHT FIXTURE. FIXTURE SHALL BE CONTROLLED BY LIGHT SENSOR SO THAT IT IS LIGHTED AT ALL NON-DAYLIGHT HOURS. PROVIDE AN EMERGENCY POWER SUPPLY WITH A MINIMUM DURATION OF 90 MINUTES FOR THIS FIXTURE.
20. FIRE DEPARTMENT KEY BOX WITH BUILDING ACCESS KEYS. CONTACT TO OBTAIN. MARYSVILLE FIRE DISTRICT RFA AT (360) 363-0500 OR (425) 407-3999.
21. ADDRESS LETTERS 18" HIGH. FONT: ARIAL. COLOR TO CONTRAST WITH BACKGROUND COLOR. VERIFY ADDRESS WITH COUNTY PRIOR TO FABRICATION.
22. EXHAUST FAN TERMINATION. COORDINATE WITH ELECTRICAL CONTRACTOR
23. STANDING SEAM MTL ROOF. 246A. SSR GALVALUME METAL ROOF PANELS; COLOR - WHITE
24. METAL SIDING. 266A. PREFINISHED METAL, PAINT COLOR C-1.
25. CMU MAINSCOTT. - STYLE COLOR
26. SKYLIGHT.

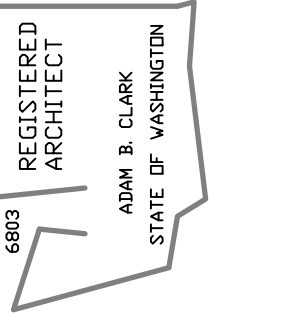
EXTERIOR COLORS

- C1 SUNBELT RENTALS GREEN
- C2 SHERWIN WILLIAMS - WEB GRAY "SW7075"
- C3 SHERWIN WILLIAMS - DORIAN GRAY "SW1017"
- C4 SUNBELT RENTALS YELLOW
- C5 SUNBELT RENTALS BLACK
- C6 SUNBELT RENTALS WHITE

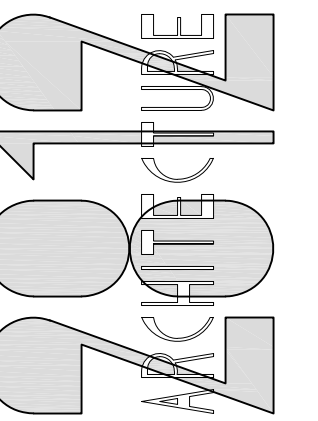
ELEVATION LEGEND

- (X) ELEVATION NOTES
- (X) WINDOW PER WINDOW LOUVER AND RELITE TYPES ON DWG. A5.3

For:	T. JUNE 2023 PRELIMINARY
Date:	18 JULY '23 BUILDING PERMIT SUBMITTAL

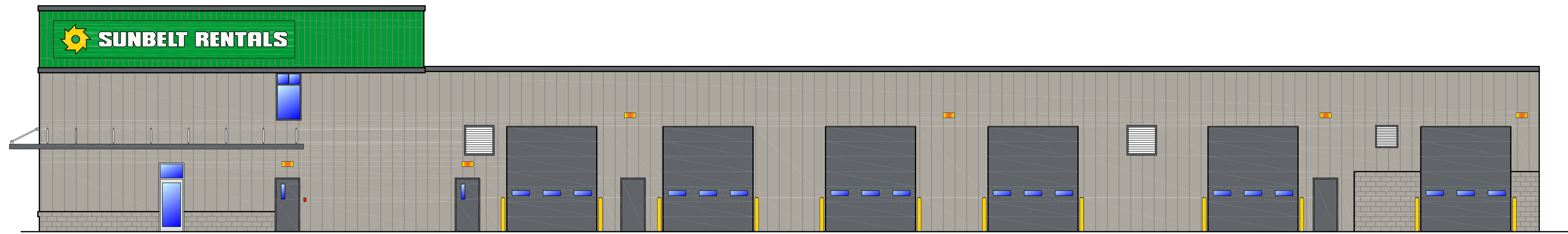


2812 Colby Avenue
Everett WA 98201
(425) 252-2153 p
www.2812architecture.com

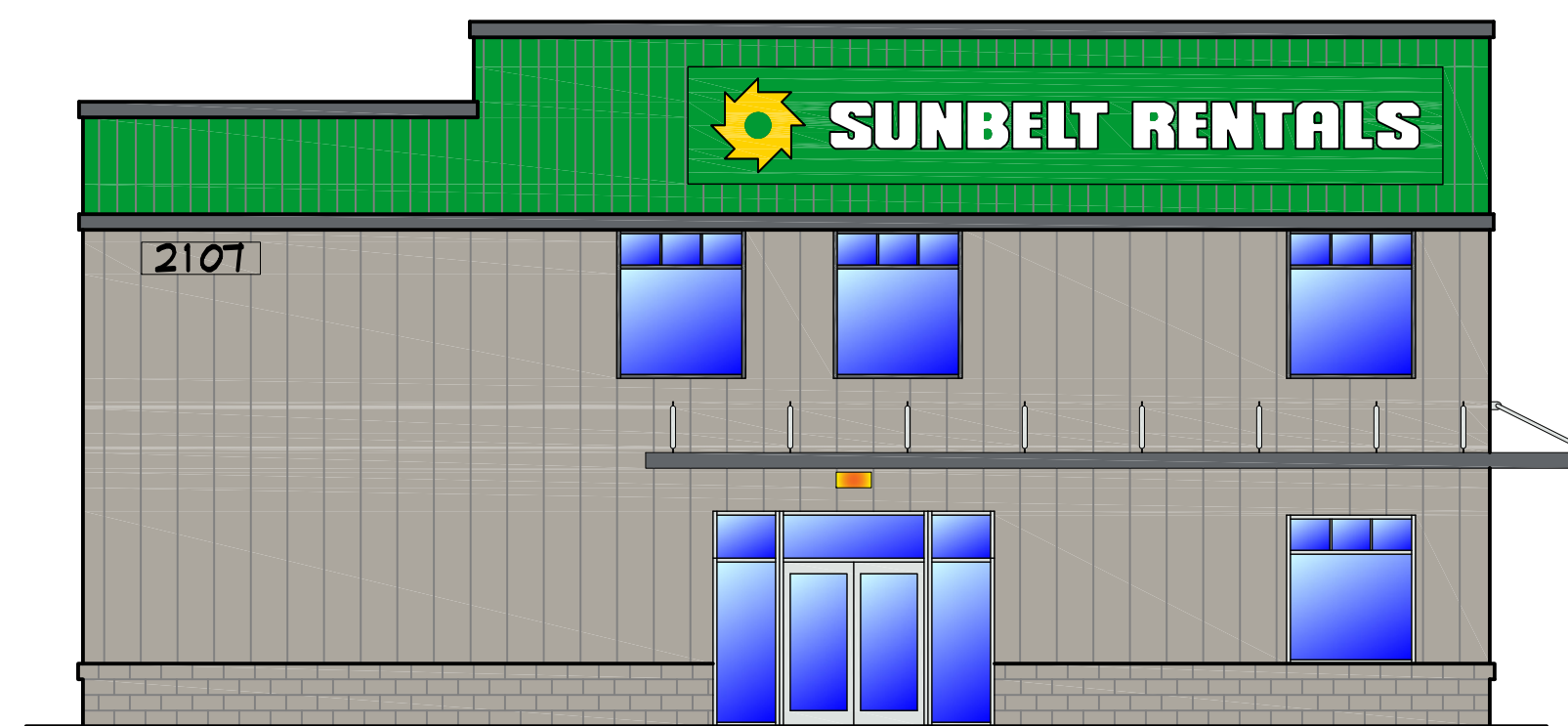


A New Equipment Rental Facility for:
PILCHUCK RENTALS - SMOKEY POINT
3304 156TH ST NE
MARYSVILLE, WASHINGTON 98271
Drawing: **A3.2**
Job Number: 21c-4287

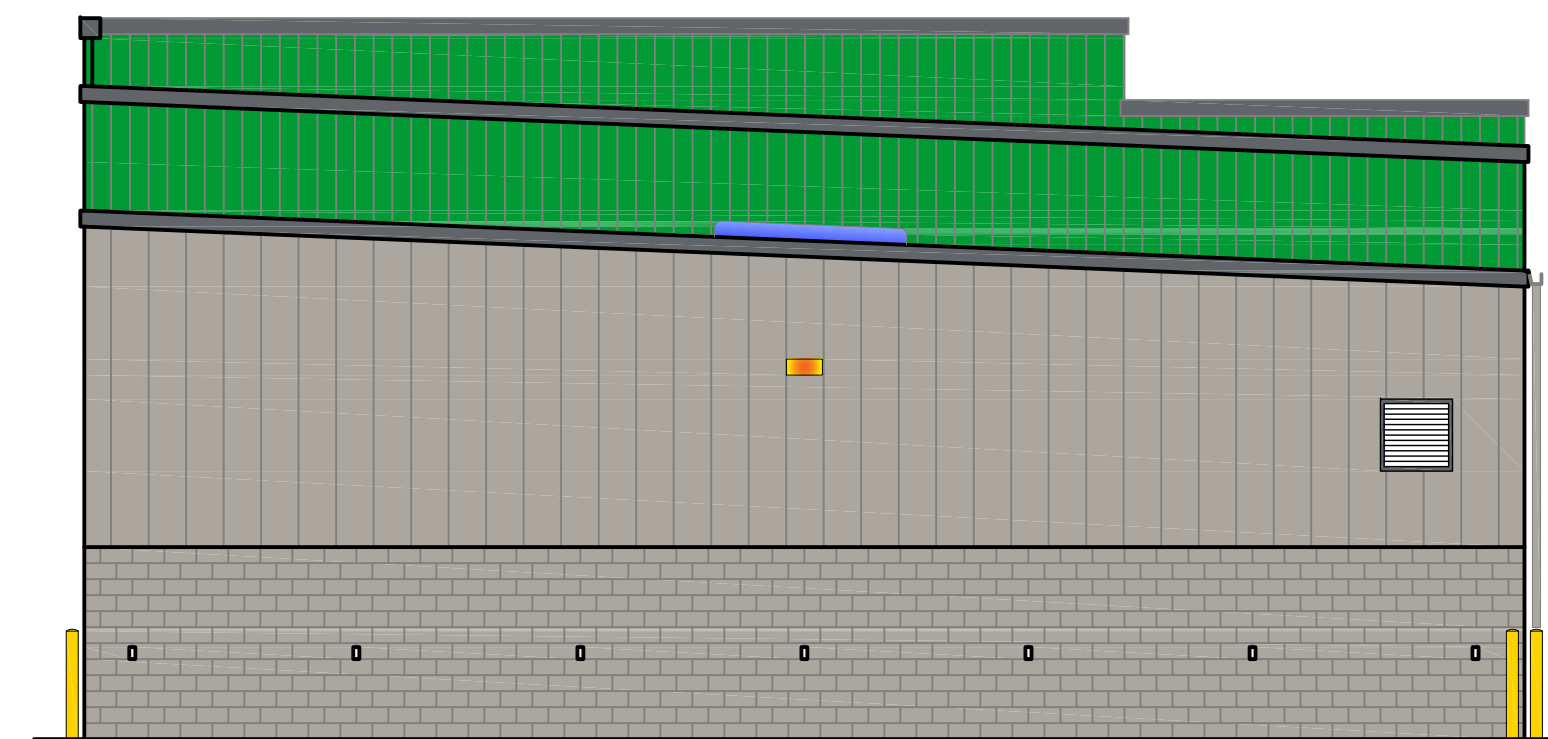
EXTERIOR ELEVATIONS



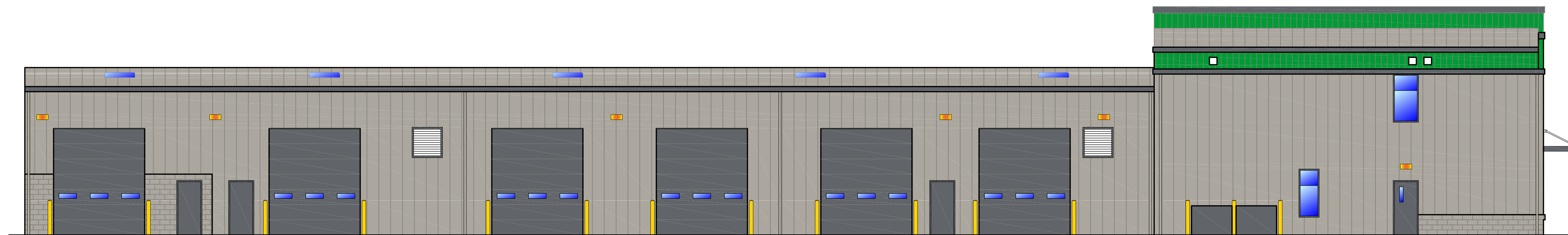
1 NORTH ELEVATION
SCALE: 1/8" = 1'-0"



2 EAST ELEVATION
SCALE: 1/8" = 1'-0"



3 WEST ELEVATION
SCALE: 1/8" = 1'-0"

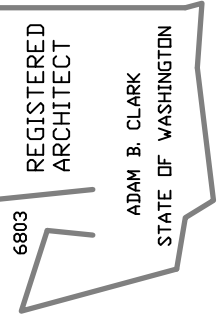


4 SOUTH ELEVATION
SCALE: 1/8" = 1'-0"

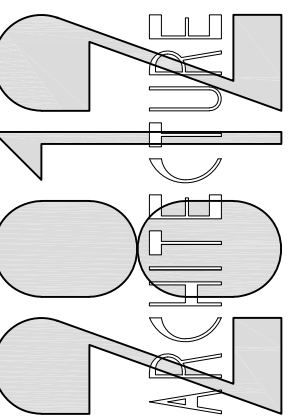
EXTERIOR COLORS

- C1 SUNBELT RENTALS GREEN
- C2 SHERWIN WILLIAMS - WEB GRAY "SW7075"
- C3 SHERWIN WILLIAMS - DORIAN GRAY "SW7017"
- C4 SUNBELT RENTALS YELLOW
- C5 SUNBELT RENTALS BLACK
- C6 SUNBELT RENTALS WHITE

Date:	7_JUNE_2022	PRELIMINARY
For:	18_JULY_'23	BUILDING PERMIT SUBMITTAL



2812 Colby Avenue
Everett WA 98201
(425) 252-2153 p
www.2812architecture.com



A New Equipment Rental Facility for:
PILCHUCK RENTALS - SMOKEY POINT

3304 156TH ST NE
MARYSVILLE, WASHINGTON 98271

Comments: EXTERIOR ELEVATIONS RENDERINGS

Drawing:	A3.3
Job Number:	21c-4287